



Plasma torch and consumables

***Contact your Hypertherm distributor
or call 1-800-752-7623 for the
location nearest to you.***

Hypertherm[®]

PAGE	OEM	TORCH	SYSTEM
2	CENTRICUT®	SE200®	MAX200®
3		SE2000®	HT2000®
4	AMADA®	IC200®	IC200
5	ESAB®	PT-31/PT-31XL	PCM-VPI, PCM-SMi, PCM-500i, PCM-625i, PCM-50A, PCM-875 & PCM-1125
6		PT-17A/PT-17AM	PCM-70, PCM-100 & PCM-150
7		PT-121/PT-121M	PCM-70, PCM-100 & PCM-150
8		PT-20AM	PCM-100, PCM-875, PCM-1125 & ESP-100i
9		PT-24	Precision Plasmarc
10		PT-15/PT-15XL Nitrogen	PCM-8, ESP-300, ESP-400, ESP-600 & ESP-1000
11		PT-15XL Oxygen	PCM-8, ESP-300, ESP-400, ESP-600 & ESP-1000
12		PT-15/PT-15XL Nozzle	PCM-8, ESP-300, ESP-400, ESP-600 & ESP-1000
13		PT-19XL	ESP-200/300/400/600C/1000, PCM-150/1500/8XL
14		PT-19XLS	ESP-200/300/400/600C/1000, PCM-150/1500/8XL
15		PT-600	ESP-200/300/400/600C/1000, PCM-150/1500/8XL
16	New!	XP3 for PT600 & PT-19XLS	ESP-200/300/400/600C/1000, PCM-150/1500/8XL
17	KALIBURN	FineLine™200	FineLine™200PC & 150PC
18		ProLine and FineLine	ProLine and FineLine
19		SR-45i	SR-45i®
19		SR-45i Retrofit	SR-45i
20	KJELLBERG®	PB-S70/75	FineFocus800®, PA-S70, PA-S75
20		PB-S77	Fine Focus800®, 900
21		PerCut 101®	HiFocus100®
22		PerCut 160i	HiFocus160i
23	New!	PB-S80	FineFocus 800 Plus
24	KOMATSU®	RASOR 40AMP	RASOR® 40 AMP
25		RASOR 90/120/300 AMP	RASOR 90/120/300 AMP
26	LINCOLN®	PRO-CUT 40 & 60	PRO-CUT® 40 & 60
27	THERMAL	PCH-20 & PCH/M-30	DYNAPAK 110®, PAK® 2XT™ & PAK3®
28	DYNAMICS®	PCH/M-10/25	PAK MASTER® 25, ECONO PAK 25, DRAG GUN
28		PCH/M-26/28/35/38	STAK PAK® 35, PAK MASTER® 50, 38XL, ECONO PAK® 50
29		PCH/M-50	PAK® 5
29		PCH/M-51	PAK 3XR™, 5XR™, 5XT™, 6XR™, 625XR™, 750XR™, DYNAPAK 4Xi, 6Xi
30		PCH/M-52	PAK 5XR™, 6XR™, 7XR™, 8XR™, 10XR™, 625XR™, 750XR™, 1000XR™, 1250XR™
31		PCH/M-53	PAK MASTER 100
32		PCH/M-70	STAK PAK
33		PCH/M-4A, 4B, 4BT	PAK 22,10, 5
34		PCH/M-6B	PAK 44, 45
35		PCH/M-100	PAK 10XR™
36		PCH/M-140	STAK PAK
37		PCH/M-150	PAK 15XC, MERLIN®
38		MAXIMIZER® 300	MERLIN 3000
39		MAXIMIZER 300	MERLIN 3000/6000/6000GST
40		M-200	TA500, 1000
41	WHITNEY®	OW250	OW250®
42		IC300	IC300®
43		TRUECUT	TRUECUT®
44	WIEDEMANN®	IC100®	WIEDEMANN IC100®

OEM Centricut[®]

System MAX200[®]

Consumables

Centricut part number	Reference number	Description	Pkg qty
1 C61-280	N/A	Shield, Ported, Dry/Underwater*, 200 Amp	1
2 C61-281	N/A	Shield, Ported, Dry/Underwater*, 100 Amp	1
C61-264	N/A	Shield Ring, 1 Piece, 40 Amp	1
3 C61-270	N/A	Retaining Ring, Heavy Duty	1
4 C92-230	N/A	Retaining Cap	1
C61-273	N/A	Retaining Ring, HD w/IHS TAB	1
5 C61-207	N/A	Nozzle, Air/N ₂ /ArH ₂ , 200 Amp	1
C61-263	N/A	Nozzle, Air, 40 Amp	1
C61-300	N/A	Nozzle, O ₂ , 100 Amp	1
C61-232	N/A	Nozzle, Air, 100 Amp	1
C61-288	N/A	Nozzle, O ₂ , 200 Amp	1
6 C61-227	N/A	Gas Guide, Air/N ₂ /ArH ₂	1
C61-304	N/A	Gas Guide, O ₂ , 100 Amp	1
C61-289	N/A	Gas Guide, O ₂ , 200 Amp	1
C61-295	N/A	Gas Guide, Air/N ₂ /ArH ₂ /CCW	1
7 C61-265	N/A	Electrode, SuperPierce, Air	1
C61-241	N/A	Electrode, N ₂ , ArH ₂	1
C61-287	N/A	Electrode, O ₂ , 200 Amp	1

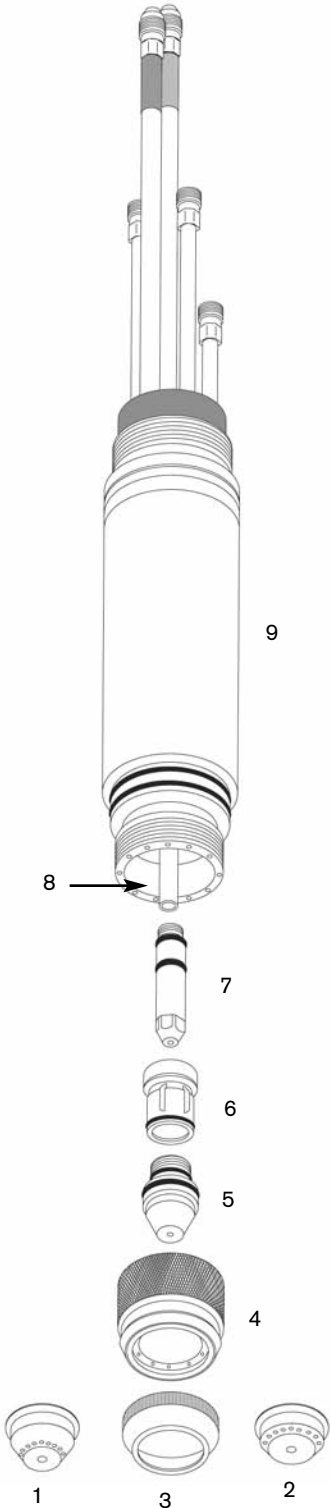
* Use with C61-270

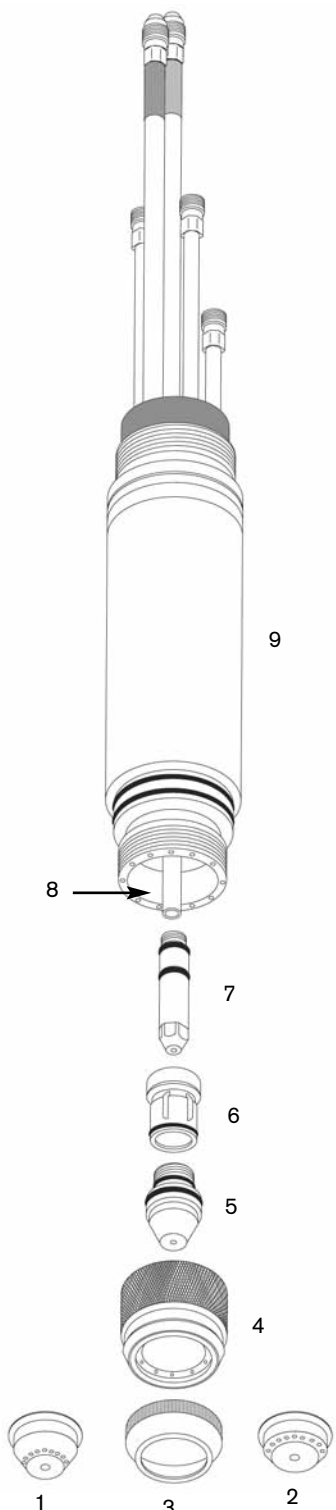
Maintenance items

Centricut part number	Reference number	Description	Pkg qty
C61-253	N/A	Gas Guide cleaning tool	1
8 C92-228	N/A	Water Tube	1
C92-229	N/A	Water Tube Wrench	1
C61-099	N/A	Wrench – Electrode/Nozzle	1
9 C61-213	N/A	Torch Body, w/ water tube and wrench	1
C61-STR	N/A	Air Starter Kit, (see below)	1
C61-OXY200	N/A	Oxy Starter Kit	1
C66-023	N/A	Torch Body O-Ring	5
C27-134	N/A	Gas Guide O-Ring	5
027055	N/A	Lubricant .25 oz. (7ml) Tube	1

C61-STR torch kit includes

Description	Pkg qty
Water Tube	1
Gas Guide, 100 Amp	1
Gas Guide, 200 Amp	1
Retaining Cap	1
Retaining Ring	1
Shield, 100 Amp – Ported	1
Shield, 200 Amp – Ported	1
Gas Guide Cleaning Tool	1
Electrode	5
Nozzle, 100 Amp	3
Nozzle, 200 Amp	3
Wrench	1
O-Ring Torch	2
O-Ring, Gas Guide	6
Parts Box	1
SE200 Manual	1
Installation Manual	1
Tech Sticker	1





Consumables

Centricut part number	Reference number	Description	Pkg qty
1 C61-280	N/A	Shield, Ported, Dry/Underwater*, 200 Amp	1
2 C61-281	N/A	Shield, Ported, Dry/Underwater*, 100 Amp	1
C61-264	N/A	Shield Ring, 1 Piece, 40 Amp	1
3 C61-270	N/A	Retaining Ring, Heavy Duty	1
4 C92-230	N/A	Retaining Cap	1
C61-273	N/A	Retaining Ring, HD w/IHS TAB	1
5 C61-207	N/A	Nozzle, Air/N ₂ /ArH ₂ , 200 Amp	1
C61-263	N/A	Nozzle, Air, 40 Amp	1
C61-300	N/A	Nozzle, O ₂ , 100 Amp	1
C61-232	N/A	Nozzle, Air, 100 Amp	1
C61-288	N/A	Nozzle, O ₂ , 200 Amp	1
6 C61-227	N/A	Gas Guide, Air/N ₂ /ArH ₂	1
C61-301	N/A	Gas Guide, O ₂ , 100 Amp	1
C61-298	N/A	Gas Guide, O ₂ , 200 Amp	1
C61-295	N/A	Gas Guide, Air/N ₂ /ArH ₂ /CCW	1
7 C61-265	N/A	Electrode, Air, 200 Amp	1
C61-241	N/A	Electrode, N ₂ , ArH ₂	1
C61-287	N/A	Electrode, O ₂ , 200 Amp	1

* Use with C61-270

Maintenance items

Centricut part number	Reference number	Description	Pkg qty
8 C92-228	N/A	Water Tube	1
C92-229	N/A	Water Tube Wrench	1
C61-099	N/A	Wrench – Electrode/Nozzle	1
9 C61-213	N/A	Torch Body, w/ water tube and wrench	1
C61-STR	N/A	Air Starter Kit, (see below)	1
C61-OXY2000	N/A	Oxy Starter Kit	1
C66-023	N/A	Torch Body O-Ring	5
C27-134	N/A	Gas Guide O-Ring	5
C61-253	N/A	Gas Guide Cleaning Tool	1
027055	N/A	Lubricant .25 oz. (7ml) Tube	1

C61-STR torch kit includes

Description	Pkg qty
Water Tube	1
Gas Guide, 100 Amp	1
Gas Guide, 200 Amp	1
Retaining Cap	1
Retaining Ring	1
Shield, 100 Amp – Ported	1
Shield, 200 Amp – Ported	1
Gas Guide Cleaning Tool	1
Electrode	5
Nozzle, 100 Amp	3
Nozzle, 200 Amp	3
Wrench	1
O-Ring Torch	2
O-Ring, Gas Guide	6
Parts Box	1
SE2000 Manual	1
Installation Manual	1
Tech Sticker	1

Centricut and HT are registered trademarks of Hypertherm, Inc. and may be registered in the United States and/or other countries. All other trademarks are the properties of their respective owners.

OEM Amada[®]

System IC200[®]

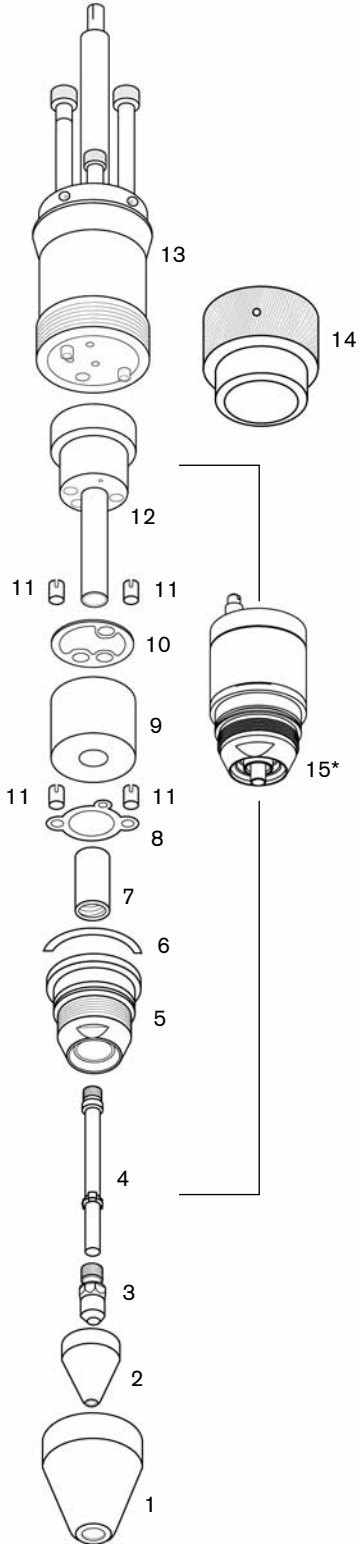
Consumables

Centricut part number	Reference number	Description	Pkg qty
1 C14-332	74172324	Nose Piece	1
2 C14-330	74172325	Nozzle, Air, .063, 150 Amp	5
	C14-331-S	648-331 Nozzle, Air, .098	5
3 C14-927	74172326	Electrode, no O-Ring, Air, 250 Amp	5
	C14-327	74172326 Electrode, with O-Ring, Air, 250 Amp	5
	C14-328	N/A Electrode, Air, 150 Amp	5

Maintenance items

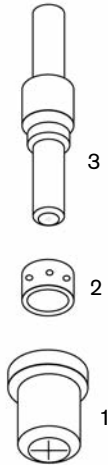
Centricut part number	Reference number	Description	Pkg qty
4 C14-794	74172327	Circulating Tube, Water Tube	1
5 C14-280	74172301	Nozzle Holder	1
6 C14-282	74172303	Gasket Spacers	2
7 C14-281	74172302	Gas Guide Ring	1
8 C14-286	74172307	Lower Gasket	5
9 C14-959	74172308	Insulating Spacer	1
10 C14-288	74172309	Cathode Holder Pkg, Middle Gasket	5
11 C14-285	74172306	Hole Guides	5
12 C14-960	74172310	Manifold	1
	C14-283	74172304 O-Ring Seal	5
	C14-284	74172305 O-Ring	5
	C14-793	74172311 O-Ring, Rear Manifold	4
13 C14-964	74172314	Upper Body	1
	C14-966	74172322 Torch Tube Cover (Old Style)	1
	C14-866	649-966 Torch Tube Cover (New Style)	1
14 C14-961	74172328	Head Cover Ass'y	1
	C14-963	74172313 Hi Frequency Pin	1
	C14-962	74172312 Hi Frequency Socket	1
	C14-765	649-765 One Touch Torch	1
15 C14-118*	N/A	Lower Torch Body Ass'y (Includes Items 4-12)	1
	027055	N/A Lubricant .25 oz. (7ml) Tube	1

* Centricut part features a unique Hypertherm design that differs from the OEM design.



OEM ESAB®

System PCM-VPI, PCM-SMI, PCM-500I, PCM-625I, PCM-50A,
PCM-875 & PCM-1125



Consumables

Centricut part number	Reference number	Description	Pkg qty
1	C31-682	Tip, XL, 30 Amp	10
	C31-866	Tip, 30 Amp	5
	C31-079	Tip, XL, 50 Amp	5
	L31-820	Tip, 50 Amp	5
	C31-008	Tip, extended 40A	10
	C31-861	Tip, extended 50A	10
2	C31-463	Swirl Baffle, XL, 6 Holes	1
	C31-785	Swirl Baffle, 4 Holes	1
3	C31-683	Electrode, XL	5
	C31-205	Electrode	2
	C31-862	Electrode, extended	10
	L31-679	Seat	1
	L31-282	Heat Shield, XL	1

Maintenance items

Centricut part number	Reference number	Description	Pkg qty
L31-072	20072	PT-31XL Torch Body, 75°	1
L31-790	950790	O-Ring	5
027055	N/A	Lubricant .25 oz. (7ml) Tube	1

OEM ESAB®

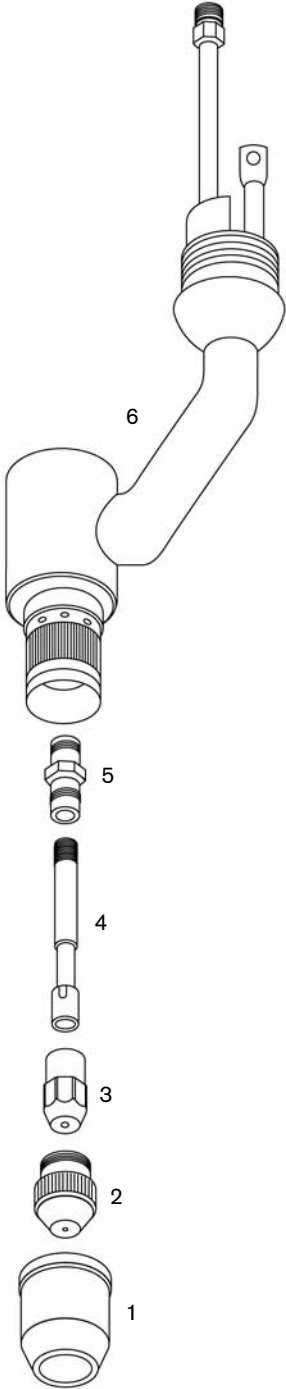
System PCM-70, PCM-100 & PCM-150

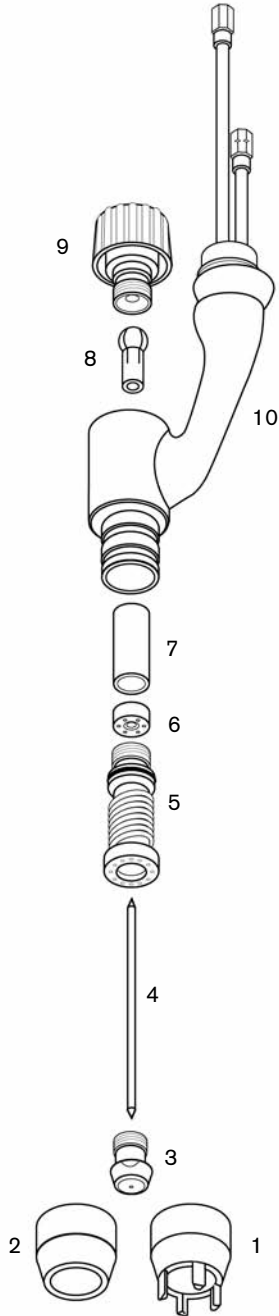
Consumables

Centricut part number	Reference number	Description	Pkg qty
L11-498	19498	Shroud Cap	1
L11-502	19502	Shroud	1
L11-989	19989	Shield Guard, Drag	1
L11-990	19990	Shield Guard	1
1 C11-124	19124	Heat Shield	1
L11-747	20747	Heat Shield, H.D.	1
2 C11-914	19914	Tip, .037, 30 Amp	5
C11-915	19915	Tip, .046, 40 Amp	5
C11-916	19916	Tip, .052, 60 Amp	5
C11-917	19917	Tip, .057, 80 Amp	5
C11-056	20056	Tip, .067, 100 Amp	5
L11-426	20426	Tip, Gouging, 70 Amp	5
L11-427	20427	Tip, Gouging, 100 Amp	5
3 C11-918	19918	Electrode	5
4 C11-114	19114	Baffle Tube	1
5 C11-053	20053	Electrode Stem	1

Maintenance items

Centricut part number	Reference number	Description	Pkg qty
6 L11-010	20010	PT-17/17A Machine Torch Body, 180°	1
L11-008	20008	PT-17/17A Torch Body, 75°	1
027055	N/A	Lubricant .25 oz. (7ml) Tube	1





Consumables

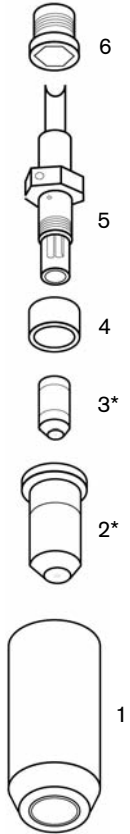
Centricut part number	Reference number	Description	Pkg qty
L12-419	18419	Heat Shield, Drag, 120 Amp	1
1 L12-620	999620	Heat Shield, Drag, 50 Amp	1
2 C12-261	999261	Heat Shield, Machine	5
3 L12-184	17184	Tip, .032	5
C12-119	17119	Tip, .047	10
C12-263	999263	Tip, .055	10
C12-264	999264	Tip, .063	10
4 C12-328	2075328	Electrode	5
5 C12-260	999260	Front Body Insert w/ O-Ring	1
L12-690	19690	High Current Body Insert w/ O-Ring	1
6 L12-540	19540	Baffle	1
L12-691	19691	High Current Baffle	1
7 L12-586	999586	Spacer	5
C12-262	999262	Gasket	5

Maintenance items

Centricut part number	Reference number	Description	Pkg qty
8 L12-259	999259	Collet, Brass	1
9 L12-257	999257	Torch Cap	1
L12-266	999266	Center-Adjust Tool	1
C12-092	994092	O-Ring	5
10 L12-270	999270	PT-121 Machine Torch	1
027055	N/A	Lubricant .25 oz. (7ml) Tube	1

OEM ESAB[®]

System PCM-100, PCM-875, PCM-1125 & ESP-100i



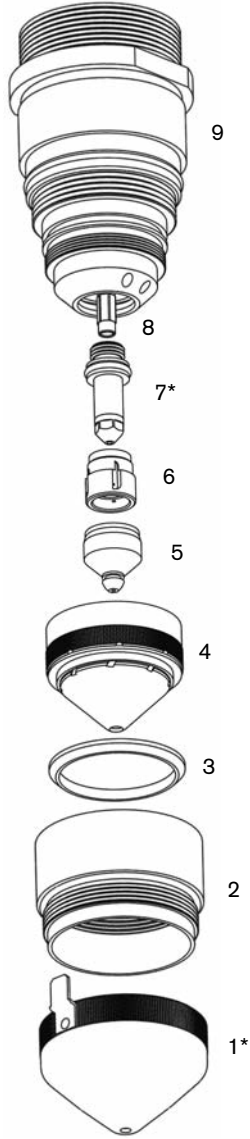
Consumables

Centricut part number	Reference number	Description	Pkg qty	
1	L39-326 L39-447	21326 21447	Heat Shield, 70 – 100 Amp Heat Shield, 50 Amp	1 1
2	C39-330* C39-329* C39-328*	21330 21329 21328	Nozzle, 50 Amp Nozzle, 70 Amp Nozzle, 100 Amp	5 5 5
3	C39-150*	21150	Electrode	5
4	L39-373 L39-374	21373 21374	Insulator Baffle Tube	1 1
5	L39-332	21332	Electrode Holder Ass'y (Includes L39-374)	1
6	C39-372	21372	Electrode Seat	1

Maintenance items

Centricut part number	Reference number	Description	Pkg qty
L39-359	21359	PT-20AM Torch Body Ass'y (Includes L39-372 & L39-157)	1
L39-157	488157	O-Ring	1
027055	N/A	Lubricant .25 oz. (7ml) Tube	1

* Centricut part features a unique Hypertherm design that differs from the OEM design.



Consumables

Centricut part number	Reference number	Description	Pkg qty	
1 C70-531*	22531	Shield, One Piece w/ IHS tab	1	
2 C70-712	21712	Shield Retainer Insulator w/ O-Ring	1	
	C70-931	N/A	Shield w/out Tab	1
3 C70-010	22010	Shield Cup Insulator	1	
	L70-008	22008	Shield Cup, 15 –30 Amp	1
4 C70-007	22007	Nozzle Retainer Diffuser	1	
	L70-540	21540	Nozzle A, 15 Amp	1
	L70-541	21541	Nozzle B, 30 Amp	1
5 C70-542	21542	Nozzle C, 50 Amp	5	
	C70-543	21543	Nozzle D, 70 Amp	5
	C70-923	21923	Nozzle E, 100 Amp	5
	L70-852	21852	Swirl Baffle, 15 Amp	1
	L70-536	21536	Swirl Baffle, 30 Amp	1
6 C70-692	21692	Swirl Baffle, 50 –100 Amp	1	
7 C70-1039*	21539	SilverLine Electrode	1	

Maintenance items

Centricut part number	Reference number	Description	Pkg qty
L70-714	950714	O-Ring	1
L70-797	638797	O-Ring	5
L70-W18	98W18	O-Ring	5
L70-W62	86W62	O-Ring	1
8 L70-725	21725	Water Baffle	1
9 L70-758	21758	Torch Body	1
027055	N/A	Lubricant .25 oz. (7ml) Tube	1

* Centricut part features a unique Hypertherm design that differs from the OEM design.

OEM ESAB®

System PCM®-8, ESP®-300, ESP-400, ESP-600 & ESP-1000

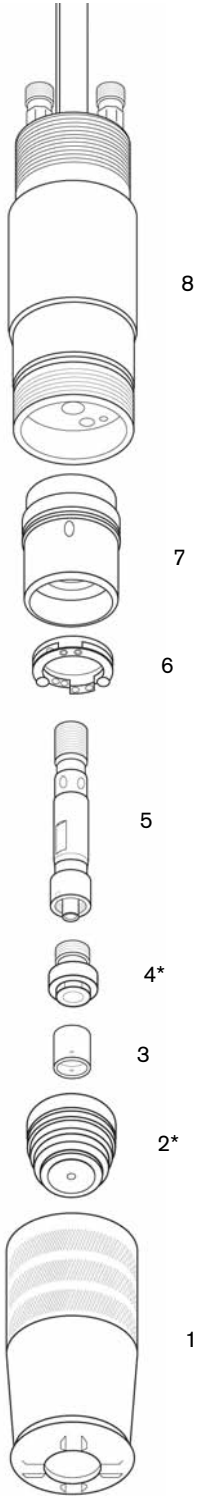
Consumables

Centricut part number	Reference number	Description	Pkg qty
1 C10-758	20758	Nozzle Retaining Cap, Bevel, PT-15XL	1
1 C10-759	20759	Nozzle Retaining Cap, PT-15XL	1
2 C10-230	996230	Nozzle Retaining Cap, PT-15	1
2 C10-691*	2075691	Nozzle Ass'y, N ₂ , .125, 250 Amp	1
C10-611	2075611	Nozzle Ass'y, N ₂ , .156, 400 Amp	1
C10-614	2075614	Nozzle Ass'y, N ₂ , .156, Rev Swirl	1
C10-612	2075612	Nozzle Ass'y, N ₂ , .200, 600 Amp	1
C10-615	2075615	Nozzle Ass'y, N ₂ , .200, Rev Swirl	1
C10-613	2075613	Nozzle Ass'y, N ₂ , .230, 750 Amp	1
C10-690	2075690	Nozzle Ass'y, N ₂ , .230, Rev Swirl	1
C10-317	37317	Nozzle, 125 Amp, PT-15XL (Use with C10-142 and C10-1066)	1
C10-318	N/A	Nozzle Base, 125 Amp, PT-15XL	1
C10-319	N/A	Nozzle Insulator, 125 Amp, PT-15XL	1
C10-586	2075586	Gas Baffle, Ceramic, 8 x .067, 260 Amp	1
C10-142	948142	Gas Swirl Baffle, Ceramic, 4 Hole	1
3 C10-341	2075341	Gas Swirl Baffle, Poly, 4 Hole	1
C10-360	2075360	Gas Swirl Baffle, Poly, Rev Swirl, 4 Hole	1
4 C10-236*	600236	Electrode Tip, N ₂	5
5 C10-343	2075343	Electrode Tip Holder, N ₂	1
6 C10-940	21940	Contact Ring Ass'y	1

Maintenance items

Centricut part number	Reference number	Description	Pkg qty
C10-403	20403	PA Bus Insulator	1
C10-755	20755	Insulator Body w/ O-Ring, PT-15XL	1
7 C10-232	996232	Insulator Body w/ O-Ring, PT-15	1
8 C10-754	20754	Torch Body, PT-15XL	1
C10-240	996240	Torch Body, PT-15	1
C10-483	19483	Double Threaded Mounting Tube	1
C10-932	N/A	O-Ring Kit, Insulator Body	1
L47-110	371100	Electrode holder – removal tool	1
027055	N/A	Lubricant .25 oz. (7ml) Tube	1

* Centricut part features a unique Hypertherm design that differs from the OEM design.



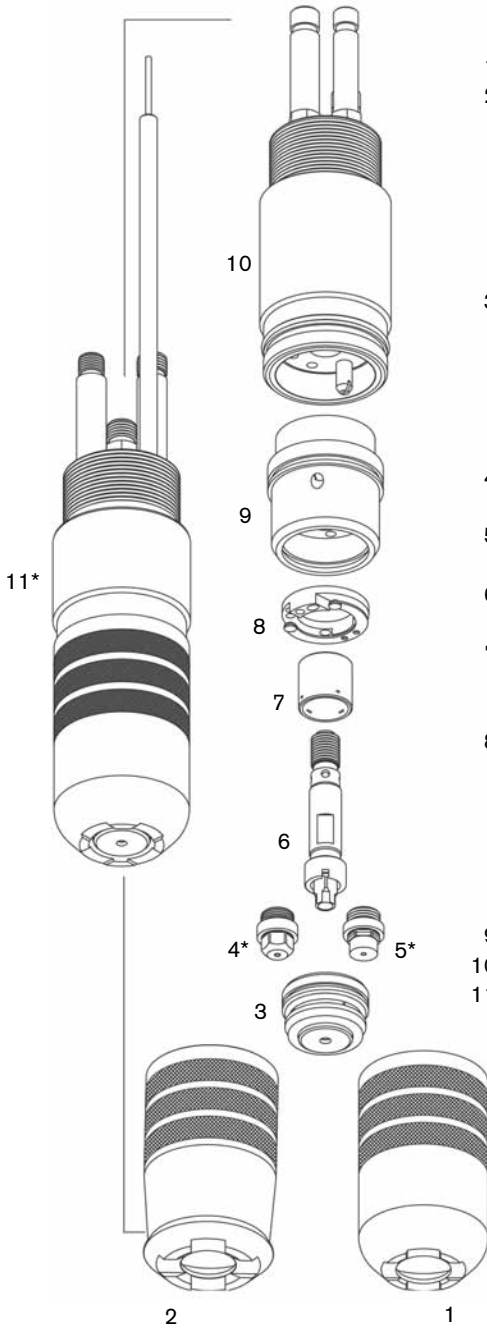
Consumables

Centricut part number	Reference number	Description	Pkg qty
1	C10-758 20758	Nozzle Retaining Cap, Bevel, PT-15XL	1
2	C10-759 20759	Nozzle Retaining Cap, PT-15XL	1
	C10-262 21962	Nozzle, 300 Amp, Bevel	1
	C10-063 21963	Nozzle, 300 Amp, Reverse Bevel	1
	C10-317 37317	Nozzle, 125 Amp, PT-15XL (use with C10-142 and C10-1066)	1
	C10-318 N/A	Nozzle Base, 125 Amp, PT-15XL	1
	C10-661 N/A	Nozzle Base, O ₂ , 300 Amp	1
	C10-319 N/A	Nozzle Insulator, 125 Amp, PT-15XL	1
3	C10-751 20751	Nozzle, O ₂ , 260 Amp	1
	C10-962 35662	Nozzle, O ₂ , 300 Amp	1
	C10-662 35662	Nozzle, O ₂ , 300 Amp	1
	C10-664 35664	Nozzle, O ₂ , 340 – 360 Amp	1
	C10-665 35665	Nozzle, O ₂ , 340 – 360 Amp, Reverse	1
	C10-920 20920	Nozzle, O ₂ , .099, 260 Amp, Reverse	1
4	C10-1063* 20763	SilverLine Electrode, 260 Amp	1
	C47-1096* 34086	SilverLine Electrode, 260 Amp, Bevel	1
5	C10-1066* 35666	SilverLine Electrode, 300 – 360 Amp	1
	C10-763* 20763	Electrode, O ₂	1
6	C10-398 20398	Electrode Holder, O ₂	1
	C47-084 34084	Electrode Holder	1
7	C10-586 2075586	Gas Baffle, Ceramic, 8 x .067, 260 Amp	1
	C10-142 948142	Gas Swirl Baffle, Ceramic, 4 Hole	1
	C10-660 35660	Gas Swirl Baffle, 8 Hole, Std	1
8	C10-940 21940	Contact Ring Ass'y	1

Maintenance items

Centricut part number	Reference number	Description	Pkg qty
	C10-403 20403	PA Bus Insulator	1
9	C10-755 20755	Insulator Body w/ O-Ring Kit	1
10	C10-754 20754	Torch Body	1
11	C10-954* 16365	Torch Assembly, SilverLine, O ₂ , 260 Amp (Includes Items 1-10)	1
	C10-955* 16365	Torch Assembly, SilverLine, O ₂ , 300 Amp (Includes Items 1-10)	1
	C10-NIT N/A	Torch Assembly, N ₂ , 400 Amp	1
	C10-483 19483	Double Threaded Mounting Tube	1
	C10-932 N/A	O-Ring Kit, Insulator Body	1
	L10-630 999630	Electrode Holder Removal Tool	1
	C10-W99 86W99	O-Ring, Electrode Holder	5
	C10-W85 86W85	O-Ring, Insulator Body Center	5
	C10-526 996526	O-Ring, Insulator Body Small	5
	C10-527 996527	O-Ring, Inside Insulator Body, Front	5
	C10-528 996528	O-Ring, Outside Insulator Body & Torch	5
	C10-106 2064106	O-Ring, Insulator Body Rear Edge, Red	5
	027055 N/A	Lubricant .25 oz. (7ml) Tube	1

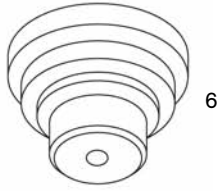
* Centricut part features a unique Hypertherm design that differs from the OEM design.



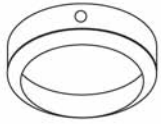
OEM ESAB[®]

System PCM[®]-8, ESP[®]-300, ESP-400, ESP-600 & ESP-1000

Consumables



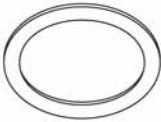
6



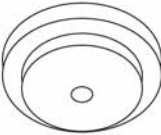
5



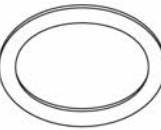
4



3

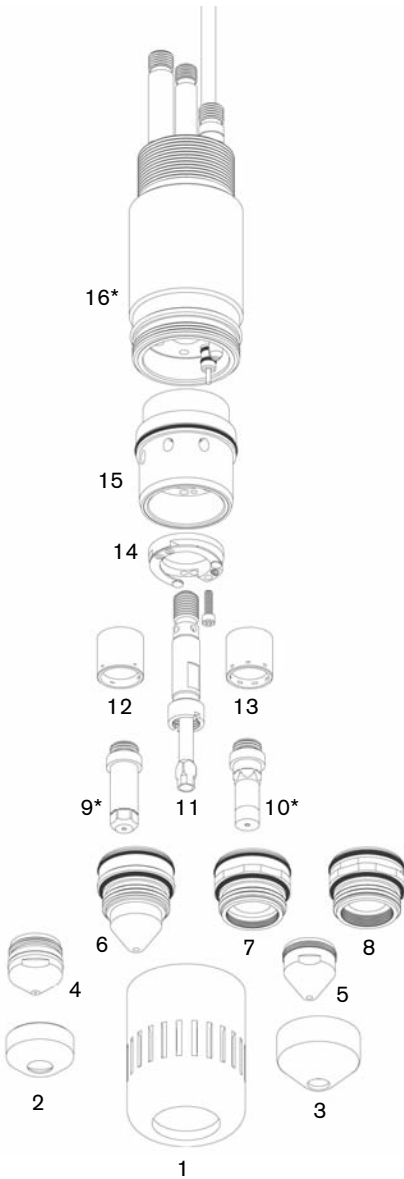


2



1

Centricut part number	Reference number	Description	Pkg qty
1 C10-628	996628	Gasket	5
2 C10-693	2075693	Insulator, .140	5
C10-617	2075617	Insulator, .180	5
C10-606	2075606	Insulator, .225	5
C10-607	2075607	Insulator, .260	5
3 C10-619	996619	Spacer	5
4 C10-618	996618	Centering Sleeve	5
5 C10-584	2075584	Water Swirl Ring, Std	5
C10-616	2075616	Water Swirl Ring, Rev	5
6 C10-694	2075694	Nozzle Base, .125	5
C10-608	2075608	Nozzle Base, .156	5
C10-609	2075609	Nozzle Base, .200	5
C10-610	2075610	Nozzle Base, .230	5
C10-932	N/A	O-Ring Kit, Insulator Body	1



Consumables

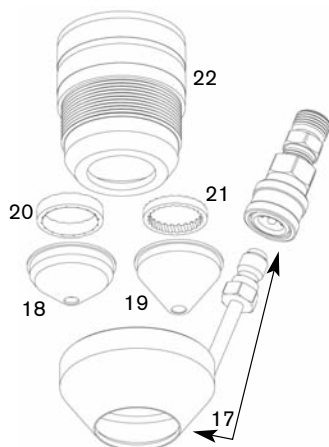
Centricut part number	Reference number	Description	Pkg qty
1 L47-085	34085	Nozzle Retaining Cap	1
C47-082	37082	Nozzle Retaining Cap	1
2 L47-885	34885	Heat Shield, 50 Amp	1
3 C47-186	948186	Heat Shield, Std, 100 – 360 Amp	1
L47-506	19506	Heat Shield, Heavy Duty, 100 – 360 Amp	1
4 C47-026	22026	Nozzle Tip, .041, 50 Amp	1
5 C47-029	22029	Nozzle Tip, .071, 100 Amp	1
C47-030	22030	Nozzle Tip, .082, 150 Amp	1
C47-031	22031	Nozzle Tip, .091, 200 Amp	1
C47-922	22032	Nozzle Tip, 250 Amp	1
C47-985	22034	Nozzle Tip, 360 Amp	1
C47-995	22033	Nozzle Tip, 400 Amp	1
C47-822	21822	Nozzle, .099, 250 Amp	1
6 C47-885	35885	Nozzle, .120, 360 Amp	1
C47-195	22195	Nozzle, .130, 400 Amp	1
C47-027	22027	Nozzle Base, 50 Amp	1
7 C47-028	22028	Nozzle Base, 100 – 400 Amp	1
8 C47-928	N/A	Nozzle Base, Extended life, 100 – 400 Amp	1
9 C47-1096*	34086	SilverLine Electrode, 250 Amp	1
10 C47-1086*	35886	SilverLine Electrode, 360 Amp	1
L47-557	34557	Electrode N2/ArH2, 150-360 Amp	1
11 C47-084	34084	Electrode Holder	1
12 C47-142	948142	Gas Swirl Baffle, 4 Hole, Std	1
L47-143	948143	Gas Swirl Baffle, 4 Hole, Rev	1
C47-586	2075586	Gas Swirl Baffle, 8 Hole, Std	1
13 C10-660	35660	Gas Swirl Baffle, 8 Hole, Std	1
L10-918	20918	Gas Swirl Baffle, 8 Hole, Rev	1
14 C47-940	21940	Contact Ring Ass'y	1

Maintenance items

Centricut part number	Reference number	Description	Pkg qty
C10-403	20403	PA Bus Insulator	1
15 C47-434	20434	Insulator Ass'y	1
16 C47-391*	20391	PT-19XL Torch Body	1
C47-990*	N/A	Torch Assembly, SilverLine, 150 Amp	1
C47-991*	N/A	Torch Assembly, SilverLine, 250 Amp	1
C47-992*	N/A	Torch Assembly, SilverLine, 360 Amp	1
L47-110	371100	Electrode holder – removal tool	1
C14-793	85W10	O-Ring, Rear Insulator	3
C10-W99	86W99	O-Ring, Electrode Holder	5
C47-528	996528	O-Ring, Outside Insulator Body & Torch	5
C47-999	N/A	O-Ring Kit, Insulator Body	1
C10-106	2064106	O-Ring, Insulator Body Rear Edge, Red	5
C10-483	19483	Double Threaded Mounting Tube	1
027055	N/A	Lubricant .25 oz. (7ml) Tube	1

PT-19XL+S

Consumables



Centricut part number	Reference number	Description	Pkg qty
17 L47-801	21801	Shield Retainer Ass'y	1
18 L47-795	21795	Shield, 50 Amp	1
19 C47-802	21802	Shield, 100 – 250 Amp	1
C47-945	21945	Shield, 300 – 400 Amp	1
20 L47-796	21796	Diffuser, 50 Amp	1
21 C47-944	21944	Diffuser, 100 – 600 Amp	1
22 L47-982	21982	Nozzle Retaining Cup	1

* Centricut part features a unique Hypertherm design that differs from the OEM design.

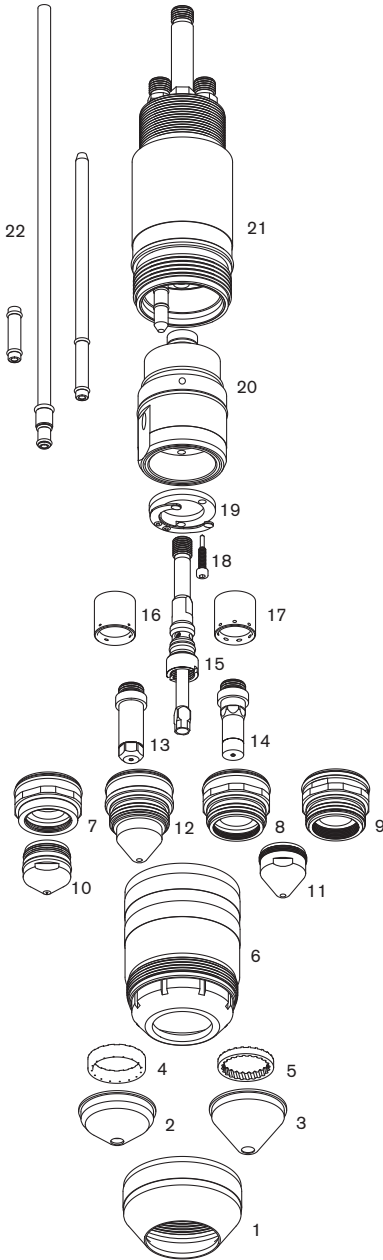
Centricut and SilverLine are registered trademarks of Hypertherm, Inc. and may be registered in the United States and/or other countries. All other trademarks are the properties of their respective owners. Centricut is in no way affiliated with ESAB.

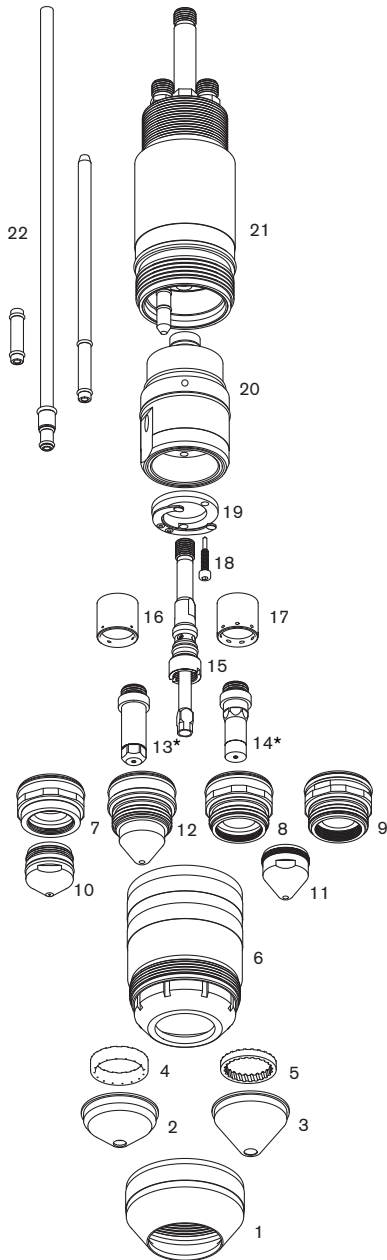
Consumables

Centricut part number	Reference number	Description	Pkg qty	
1	C47-081	37081	Shield Retainer	1
2	L47-795	21795	Shield, 50 Amp	1
3	C47-802	21802	Shield, 100-250 Amp	1
	C47-945	21945	Shield, 325-600 Amp	1
4	L47-796	21796	Diffuser, 50 Amp	1
5	C47-944	21944	Diffuser, 100-600 Amp	1
	C47-496	22496	Diffuser, 100-600 Amp, Rev, Black	1
6	C47-082	37082	Nozzle Retaining Cap	1
7	C47-027	22027	Nozzle Base, 50 Amp	1
8	C47-028	22028	Nozzle Base, 100-360 Amp	1
9	C47-928	N/A	Nozzle Base, Extended Life, 100-400 Amp	1
10	C47-026	22026	Nozzle Tip, .041, 50 Amp	1
11	C47-029	22029	Nozzle Tip, .071, 100 Amp	1
	C47-030	22030	Nozzle Tip, .082, 150 Amp	1
	C47-031	22031	Nozzle Tip, .091, 200 Amp	1
	C47-922	22032	Nozzle Tip, 250 Amp	1
	C47-985	22034	Nozzle Tip, 360 Amp	1
	C47-995	22033	Nozzle Tip, 400 Amp	1
12	C47-822	21822	Nozzle, .099, 250 Amp	1
	C47-885	35885	Nozzle, .120, 360 Amp	1
	C47-195	22195	Nozzle, .130, 400 Amp	1
	L47-401	22401	Nozzle, 600 Amp	1
13	C47-1096	34086	SilverLine Electrode, 50-250 Amp	1
14	C47-1086	35886	SilverLine Electrode, 360 Amp	1
	L47-196	22196	Electrode, 400 Amp	1
	L47-557	34557	Electrode, N ₂ /ArH ₂ , 150-360 Amp	1
	L47-403	22403	Electrode, N ₂ /ArH ₂ , 600 Amp	1
16	C47-142	948142	Gas Swirl Baffle, 4 Hole, Std	1
	L47-143	948143	Gas Swirl Baffle, 4 Hole, Rev	1
	C47-586	2075586	Gas Swirl Baffle, 8 Hole, Std	1
17	C10-660	35660	Gas Swirl Baffle, 8 Hole, Std	1
	L47-194	22194	Gas Swirl Baffle, Std	1
18	C47-073	37073	Screw, Contact Ring	1
19	C47-071	37071	Contact Ring Ass'y	1

Maintenance items

Centricut part number	Reference number	Description	Pkg qty	
	C47-528	996528	O-Ring, Outside Insulator Body & Torch	5
	C10-106	2064106	O-Ring, Insulator Body Rear Edge, Red	5
20	C47-083	37083	Insulator Body	1
22	C47-900	N/A	Insulating Tube Kit, PT-19XLS/PT-600	1
15	C47-068	37068	Electrode Holder	1
21	C47-066	37066	Torch Body	1
	C47-993	N/A	Torch Ass'y, SilverLine, 250 Amp	1
	C47-994	N/A	Torch Ass'y, SilverLine, 360 Amp	1
	C47-434	20434	Insulator Ass'y	1
	C10-483	19483	Double Threaded Mounting Tube	1
	C10-033	951000	O-Ring, Teflon tubes	5
	C10-W85	86W85	O-Ring, Insulator Body Center	1
	C10-106	2064106	O-Ring, Insulator Body Rear Edge, Red	5
	L47-110	371100	Electrode Holder Removal Tool	1
	L10-630	999630	Nozzle/Electrode Stem Tool	1
	C47-900	N/A	Insulating Tube Kit, PT-19XLS/PT-600	1
	C47-066	37066	Rear Main Body Ass'y	1
	C47-993	N/A	Torch Ass'y, SilverLine®, 250 Amp	1
	C47-994	N/A	Torch Ass'y, SilverLine, 360 Amp	1
	027055	N/A	Lubricant .25 oz. (7ml) Tube	1





Consumables

Centricut part number	Reference number	Description	Pkg qty
1 C47-081	37081	Shield Retainer	1
2 L47-795	21795	Shield, 50 Amp	1
3 C47-802	21802	Shield, 100 – 250 Amp	1
C47-945	21945	Shield, 325 – 600 Amp	1
L96-4678	0558004678	Shield	1
4 L47-796	21796	Diffuser, 50 Amp	1
5 C47-944	21944	Diffuser, 100 – 600 Amp	1
C47-496	22496	Diffuser, 100 – 600 Amp, Rev, Black	1
6 C47-082	37082	Nozzle Retaining Cap	1
L47-431	37431	Nozzle Retaining Cap, Air Curtain	1
7 C47-027	22027	Nozzle Base, 50 Amp	1
8 C47-028	22028	Nozzle Base, 100 – 360 Amp	1
9 C47-928	N/A	Nozzle Base, Extended life, 100 – 400 Amp	1
10 C47-026	22026	Nozzle Tip, .041, 50 Amp	1
11 C47-029	22029	Nozzle Tip, .071, 100 Amp	1
C47-030	22030	Nozzle Tip, .082, 150 Amp	1
C47-031	22031	Nozzle Tip, .091, 200 Amp	1
C47-922	22032	Nozzle Tip, 250 Amp	1
C47-985	22034	Nozzle Tip, 360 Amp	1
C47-995	22033	Nozzle Tip, 400 Amp	1
12 C47-822	0558001623	Nozzle, .099, 250 Amp	1
C47-885	0558001885	Nozzle, .120, 360 Amp	1
C47-195	0558001886	Nozzle, .130, 400 Amp	1
L47-401	0558001887	Nozzle, 600 Amp	1
13 C96-1024*	0558001624	SilverLine Electrode, 250 Amp	1
14 C96-1016*	0558002516	SilverLine Electrode, 360/400 Amp	1
15 C96-621	0558001621	Electrode Holder	1
16 C47-142	0558002533	Gas Swirl Baffle, 4 Hole, Std	1
L47-143	0558002534	Gas Swirl Baffle, 4 Hole, Rev	1
L47-661	35661	Gas Swirl Baffle, 8 Hole, Rev	1
17 C10-660	0558001625	Gas Swirl Baffle, 8 Hole, Std	1
L47-194	22194	Gas Swirl Baffle, Std	1

Maintenance items

Centricut part number	Reference number	Description	Pkg qty
19 C47-071	37071	Contact Ring Ass'y	1
18 C47-073	37073	Screw, Contact Ring Ass'y	1
C47-528	N/A	O-Ring, Outside Insulator Body & Torch	5
C10-483	19483	Double Threaded Mounting Tube	1
20 C47-083	37083	Insulator Body	1
22 C47-900	N/A	Insulating Tube Kit, PT-19XLS/PT-600	1
C96-925	0558001825	Torch Body, Modular	1
21 C47-066	37066	Torch Body	1
L96-825	0558001825	Torch Body	1
C96-993*	N/A	Torch Ass'y, SilverLine, 250 Amp	1
C96-994*	N/A	Torch Ass'y, SilverLine, 360 Amp	1
L96-4611	0558004611	Electrode, Holder, Tool	1
027055	N/A	Lubricant .25 oz. (7ml) Tube	1

* Centricut part features a unique Hypertherm design that differs from the OEM design.

New Technology improvements available!
See page 16!

OEM ESAB[®]

System ESP[®]-200/300/400-600C/1000, PCM[®]-150/1500/8XL

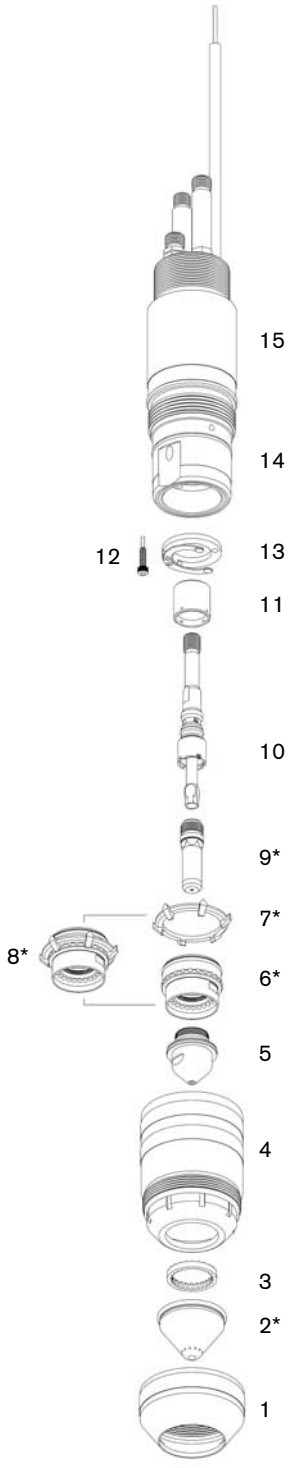
Consumables

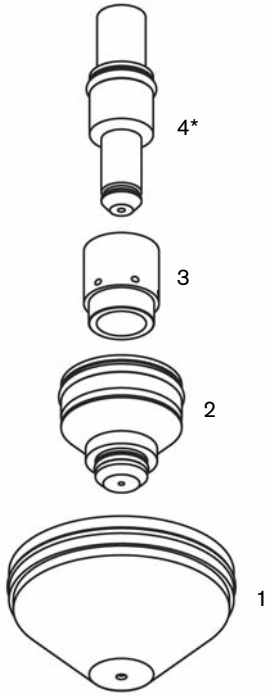
Centricut part number	Reference number	Description	Pkg qty
1 C47-081	37081	Shield Retainer	1
2 C120-920*	N/A	MultiPort Shield, 200	1
	N/A	MultiPort Shield, 260A	1
	N/A	MultiPort Shield, 360A	1
3 C47-944	21944	Diffuser, 100 – 600 Amp	1
4 C47-082	37082	Nozzle Retaining Cap	1
5 C120-200	N/A	CoolFlow™ Nozzle Tip, 200 Amp	1
	N/A	CoolFlow Nozzle Tip, 260 Amp	1
	N/A	CoolFlow Nozzle Tip, 360 Amp	1
	N/A	CoolFlow Nozzle Kit, 200 Amp, 20 Pack	1
	N/A	CoolFlow Nozzle Kit, 260 Amp, 20 Pack	1
	N/A	CoolFlow Nozzle Kit, 360 Amp, 20 Pack	1
6 C120-010*	N/A	CoolFlow Nozzle Base	1
7 C120-020*	N/A	Baffle, Coolant	1
8 C120-030*	N/A	CoolFlow Nozzle Base Ass'y	1
9 C120-1010*	N/A	Silverline® Electrode	1
10 C96-621	558001621	Electrode Holder	1
11 C10-660	0558001625, 35660	Gas Swirl Baffle, 8 Hole, Std	1
	C47-142	Gas Swirl Baffle, 4 Hole	1

Maintenance items

Centricut part number	Reference number	Description	Pkg qty
12 C47-043	37073	Screw, Contact Ring Ass'y	1
13 C47-071	37071	Contact Ring Ass'y	1
14 C47-083	37083	Insulator Body	1
15 C47-066	37066	Torch Body	1
9*	C96-925	Torch Body Modular	1
	C120-012	Wrench, Elec/Nozzle	1
7*	C120-013	Wrench, Nozzle Base	1

† CoolFlow Nozzle Kits include 20 Nozzle Tips and 1 Nozzle Base Ass'y.





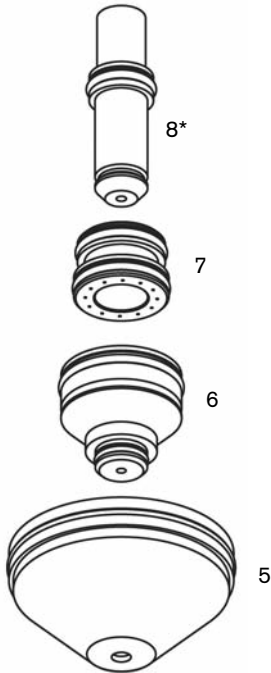
Consumables

Centricut part number	Reference number	Description	Pkg qty
C104-217	200217	Retaining Cap, 30, 50, 70 Amp	1
C104-218	200218	Retaining Cap, 100 Amp	1
C107-266	200219	Retaining Cap, 200 Amp	1
I104-233	200233	Shield Cap, 30 Amp	1
C104-231	200231	Shield Cap, 50 – 70 Amp	1
1 C104-232	200232	Shield Cap, 100 Amp	1
5 C104-234	200234	Shield Cap, 200 Amp	1
C104-210	200210	Outer Cap	1
C104-223	200223	Nozzle, 50 Amp	1
C104-224	200224	Nozzle, 70 Amp	1
2 C104-225	200225	Nozzle, 100 Amp, MS	1
C104-239	200239	Nozzle, 100 Amp, AL/SS	1
6 C104-227	200227	Nozzle, 200 Amp	1
I104-279	200279	Swirl Ring, 30 Amp	1
3 C104-277	200277	Swirl Ring, 100 Amp	1
7 C104-221	200221	Swirl Ring, 200 Amp	1
C104-214	200214	Electrode, 50 – 70 Amp	1
C104-215	200215	Electrode, 100 Amp	1
4 C104-1005*	200215	SilverLine Electrode, O ₂ , 100 Amp	1
8 C104-1015*	202115	SilverLine Electrode, O ₂ , 200 Amp	1
C104-115	202115	Electrode, 200 Amp	1

Maintenance items

Centricut part number	Reference number	Description	Pkg qty
C104-112	200112	Cooling Tube	1
C104-109	200109	Wrench, Cooling Tube	1
I104-390	200390	Nozzle Removal Tool	1
I104-024	500024	O-Ring, Blue	1
I104-018	500018	O-Ring, Orange	1
I104-209	820209	O-Ring, Orange	1
027055	N/A	Lubricant .25 oz. (7ml) Tube	1

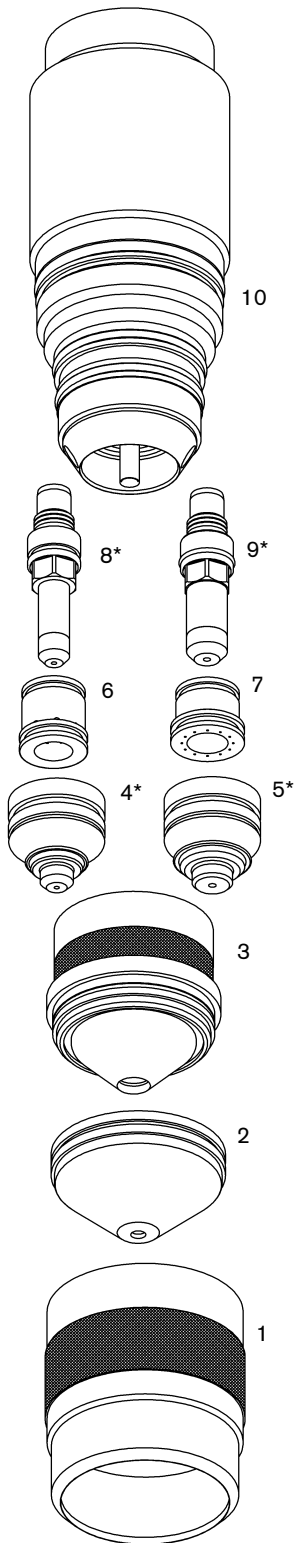
* Centricut part features a unique Hypertherm design that differs from the OEM design.



OEM Kaliburn®

System ProLine 2150, 2200®, 2260
FineLine150, 200, 260

Consumables

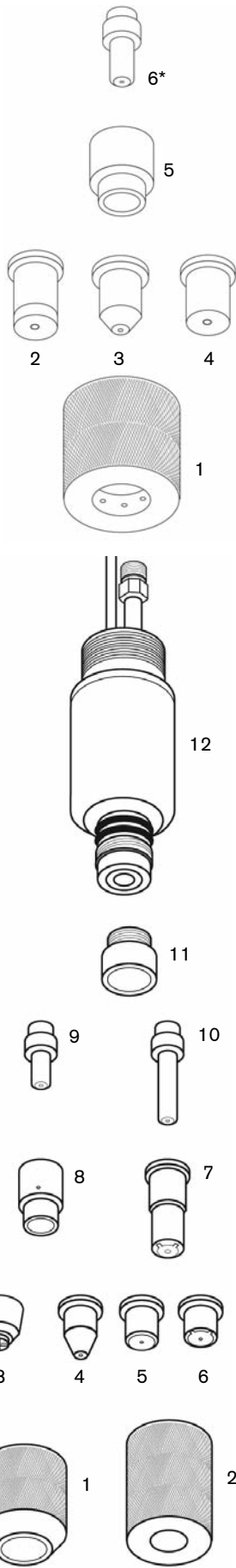


Centricut part number	Reference number	Description	Pkg qty
1 C107-154	277154	Outer Cap	1
2 I107-145	277145	Shield Cap, 30 Amp	1
I107-144	277144	Shield Cap, 30 Amp SS	1
C107-115	277115	Shield Cap 50 Amp	1
I107-149	277149	Shield Cap 50A SS	1
C107-150	277150	Shield Cap 70 Amp	1
C107-147	277147	Shield Cap 100 Amp	1
C107-117	277117	Shield Cap 150 Amp	1
C107-274	277274	Shield Cap 200 Amp	1
C107-263	277263	Shield Cap 275 Amp	1
C107-148	277148	Shield Cap, 200 Amp, SS	1
3 I107-110	277110	Retaining Cap 30/150 Amp SS	1
C107-153	277153	Retaining Cap 30/50/70 Amp	1
C107-151	277151	Retaining Cap 100/150 Amp	1
C107-152	277152	Retaining Cap, 150 Amp	1
I107-113	277113	Retaining Cap, 200 Amp SS AL	1
C107-266	277266	Retaining Cap 200/275 Amp	1
4 C107-122*	277122	CoolFlow Nozzle, 50 Amp	1
C107-125*	277125	CoolFlow Nozzle, 70 Amp	1
C107-127*	277127	CoolFlow Nozzle, 100 Amp	1
C107-119*	277119	CoolFlow Nozzle 150 Amp	1
5 C107-268*	277268	CoolFlow Nozzle, 200 Amp	1
C107-269*	277269	CoolFlow Nozzle 275 Amp	1
I107-120	277120	Nozzle, 30 Amp	1
I107-121	277121	Nozzle, 30 Amp SS	1
I107-123	277123	Nozzle 50A SS	1
I107-114	277114	Nozzle, 200 Amp SS AL	1
6 I107-138	277137	Swirl Ring, 30 Amp SS	1
I107-140	277140	Swirl Ring, 30/70 Amp SS/Marking	1
C107-142	277142	Swirl Ring 50/70/100 Amp	1
C107-139	277139	Swirl Ring 150 Amp	1
7 C107-259	277259	Swirl Ring 200 Amp	1
C107-258	277258	Swirl Ring 275 Amp	1
C107-143	277143	Swirl Ring, 200 Amp SS	1
C107-131	277131	Electrode 50/70 Amp	1
I107-130	277130	Electrode 30 Amp	1
I107-137	277137	Electrode 30/50A SS	1
8 C107-1034*	277134	SilverLine Electrode 100 Amp	1
9 C107-1036*	277136	SilverLine Electrode 150/200 Amp	1
C107-1070*	277270	SilverLine Electrode 275 Amp	1
I107-190	277190	Electrode, Marking	1

Maintenance items

Centricut part number	Reference number	Description	Pkg qty
10 I107-7000	277000	Torch Body	1
I104-024	500024	O-Ring, Blue	1
I104-018	500018	O-Ring, Orange	1
I104-209	820209	O-Ring, Orange	1
027055	N/A	Lubricant .25 oz. (7ml) Tube	1

* Centricut part features a unique Hypertherm design that differs from the OEM design.



OEM Kaliburn®

System SR-45i®

Consumables

Centricut part number	Reference number	Description	Pkg qty	
1	I36-098	770098	Retaining Cap	1
2	C36-030	770030	Nozzle, Insulation	5
3	C36-104	770104	Nozzle, Tapered	5
4	C36-000	770000	Nozzle, Air	5
5	C36-012	770012	Swirl Ring	1
6	C36-715*	770015/ 770017	Electrode, Air	5

Maintenance items

Centricut part number	Reference number	Description	Pkg qty
I36-073	770073	Torch Body	1
027055	N/A	Lubricant .25 oz. (7ml) Tube	1

* Centricut part features a unique Hypertherm design that differs from the OEM design.

SR-45i® Retrofit

OEM Kaliburn®

System SR-45i®Retrofit

Consumables

Centricut part number	Reference number	Description	Pkg qty	
1	020200	020200	Retaining Cap, High Visibility	1
2	C02-104	020104	Retaining Cap	1
3	020197	020197	Nozzle, High Visibility	5
4	C02-131	020131	Nozzle, Pipe	10
5	C02-102	020102	Nozzle	10
6	C02-115	020115	Nozzle	10
7	020466	020466	Nozzle, Extended	5
	020340	020340	Nozzle, Gouging	5
8	C02-101	020101	Swirl Ring	2
9	C02-103	020103	Electrode, Air	10
	020167	020167	Electrode, N ₂	5
10	020467	020467	Electrode, Air, Extended	5

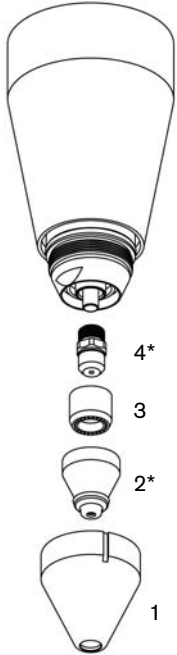
Maintenance items

Centricut part number	Reference number	Description	Pkg qty	
	C02-016	044016	O-Ring	5
11	C02-043	N/A	Insulator, Replaceable	1
12	C36-973	N/A	Retrofit Modular Torch Body	1
	027055	N/A	Lubricant .25 oz. (7ml) Tube	1

OEM Kjellberg[®]

System FineFocus[®]800, PA-S70, PA-S75[®]

Consumables



Centricut part number	Reference number	Description	Pkg qty
4	C53-1000*	.11.828.921.300 SilverLine Electrode, K2 XL, O ₂	1
	C53-870	.12.40870 Electrode, K2, Air	5
1	C53-790	.12.37790 Nozzle Cap	1
2	C53-920*	.11.828.901.420 CoolFlow Nozzle, L1 XL, O ₂ , 160 Amp	1
	C53-925*	.11.828.901.425 CoolFlow Nozzle, L2 XL, O ₂ , 250 Amp	1
	C53-927*	.11.828.901.427 CoolFlow Nozzle L4-XL 300 Amp	1
3	C53-860	.12.40860 Gas Guide	1

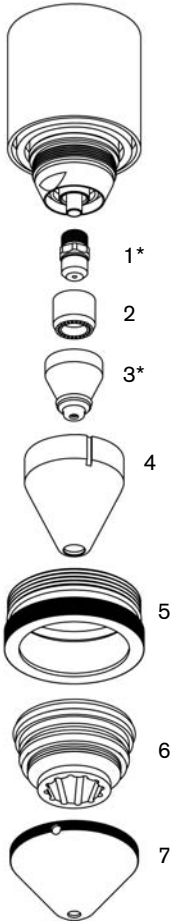
* Centricut part features a unique Hypertherm design that differs from the OEM design.

PB-S77[®]

OEM Kjellberg[®]

System FineFocus[®]800, 900[®]

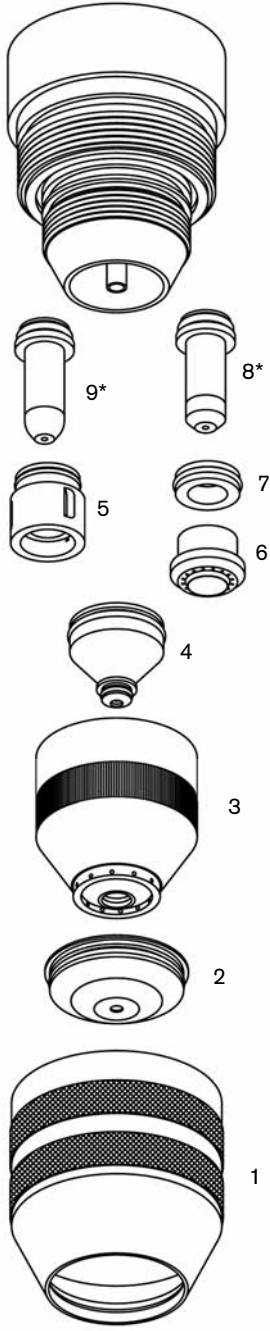
Consumables



Centricut part number	Reference number	Description	Pkg qty
1	C53-1000*	.11.828.921.300 SilverLine Electrode, K2-XL	1
	C53-870	.12.40870 Electrode, K2	5
2	C53-860	.12.40860 Gas Guide	1
3	C53-920*	.11.828.901.420 CoolFlow Nozzle, L1-XL, 160 Amp	1
	C53-925*	.11.828.901.425 CoolFlow Nozzle, L2-XL, 250 Amp	1
	C53-927*	.11.828.901.427 CoolFlow Nozzle, L4-XL, 300 Amp	1
4	C53-790	.12.37790 Nozzle Cap	1
5	K53-261	.11.833.101.261 Protective Cap	1
6	K53-271	.11.833.101.271 Swirl Gas Nozzle	1
7	K53-1156	.11.833.111.156 Swirl Gas Cap, 4.0	1
	C53-158	.11.833.101.158 Swirl Gas Cap, 5.0	1

* Centricut part features a unique Hypertherm design that differs from the OEM design.

Consumables



Centricut part number	Reference number	Description	Pkg qty
1 C106-081	.11.835.201.081	Protection Cap, Z501	1
2 C106-561	.11.835.201.1561	Swirl Gas Cap, 1.5 mm, Z4015	1
C106-571	.11.835.201.1571	Swirl Gas Cap, 2.0 mm, Z4020	1
C106-581	.11.835.201.1581	Swirl Gas Cap, 2.5 mm, Z4025	1
C106-591	.11.835.201.1591	Swirl Gas Cap, 3.0 mm, Z4030	1
C106-171	.11.835.401.1571	Swirl Gas Cap, 4.0 mm, Z4140	1
3 C106-160	.11.835.201.160	Nozzle Cap, O ₂ , Z3004	1
C106-162	.11.835.201.162	Nozzle Cap, 0.8 mm, Z3008	1
4 C106-406	.11.835.221.406	Nozzle, 0.6 mm, O ₂ , Z2006	10
C106-407	.11.835.221.407	Nozzle, 0.7 mm, O ₂ , Z2007	10
C106-408	.11.835.221.408	Nozzle, 0.8 mm, O ₂ , Z2008	10
C106-409	.11.836.221.409	Nozzle, 0.9 mm, O ₂ , Z2009	10
C106-410	.11.835.221.410	Nozzle, 1.0 mm, O ₂ , Z2010	10
C106-411	.11.835.221.411	Nozzle, 1.1 mm, O ₂ , Z2011	10
C106-412	.11.835.421.412	Nozzle, 1.2 mm, O ₂ , Z2112	10
C106-414	.11.835.421.414	Nozzle, 1.4 mm, O ₂ , Z2114	10
C106-112	.11.835.221.412	Nozzle, 1.2 mm, O ₂ , Z2012	10
5 C106-153	.11.835.221.153	Gas Guide Cap, 0.4 mm, O ₂ , Z101	1
6 K106-253	.11.834.321.153	Gas Guide Cap, O ₂ , Z111	1
7 C106-303	.11.835.421.303	Spacer Z111A	1
8 C106-1001*	.11.835.221.3101	SilverLine Electrode, O ₂ , XL Z002	1
9 C106-1021*	.11.835.421.3101	SilverLine Electrode, O ₂ , XL Z012	1

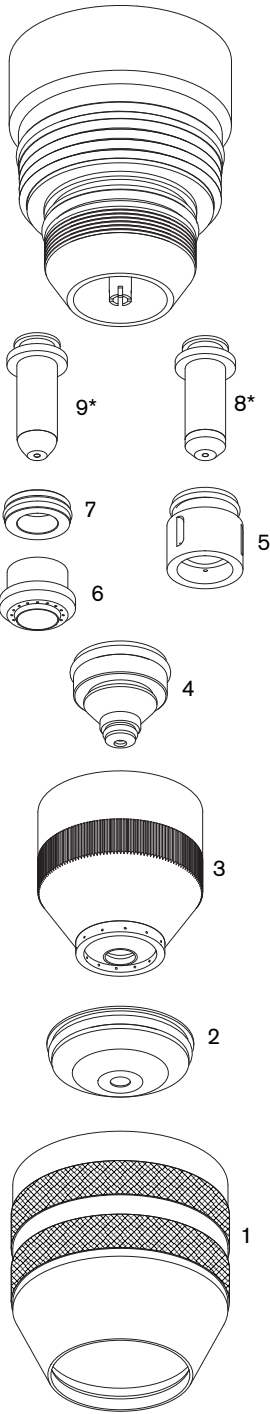
* Centricut part features a unique Hypertherm design that differs from the OEM design.

OEM Kjellberg® System HiFocus160i®

Consumables

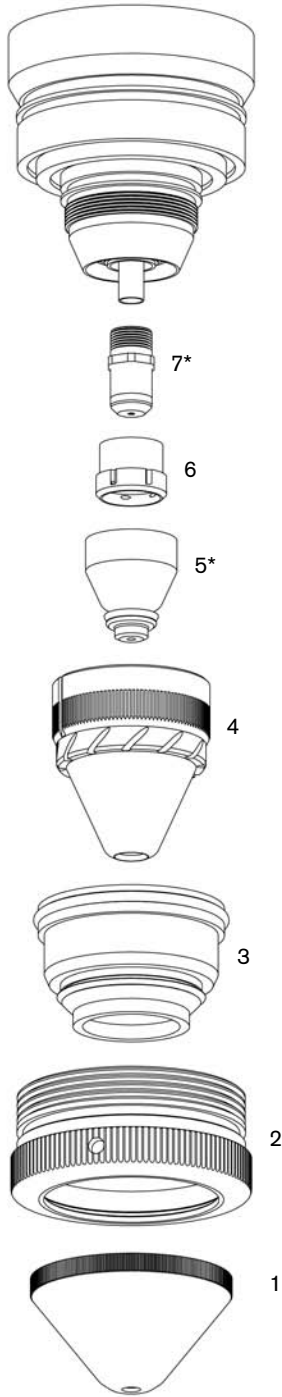
Centricut part number	Reference number	Description	Pkg qty
1	C106-081 .11.835.201.081	Protection Cap, Z501	1
2	C106-561 .11.835.201.1561	Swirl Gas Cap, 1.5 mm, Z4015	1
	C106-571 .11.835.201.1571	Swirl Gas Cap, 2.0 mm, Z4020	1
	C109-551 .11.835.201.1551	Swirl Gas Cap, 2.2 mm, Z4022	1
	C106-581 .11.835.201.1581	Swirl Gas Cap, 2.5 mm, Z4025	1
	C106-591 .11.835.201.1591	Swirl Gas Cap, 3.0 mm, Z4030	1
	C106-171 .11.835.401.1571	Swirl Gas Cap, 4.0 mm, Z4140	1
3	K109-160 .11.842.401.160	Nozzle Cap, 0.4 mm, S3004	1
	K109-162 .11.842.401.162	Nozzle Cap, 0.8 mm, S3008	1
	K109-622 .11.842.401.1622	Nozzle Cap, 0.8 mm, S3028	1
4	C109-406 .11.843.021.406	Nozzle, 0.6 mm, 25 Amp, S2006X	10
	C109-407 .11.843.021.407	Nozzle, 0.7 mm, 35 Amp, S2007X	10
	C109-408 .11.843.021.408	Nozzle, 0.8 mm, 50/60 Amp, S2008X	10
	C109-409 .11.843.021.409	Nozzle, 0.9 mm, 70/80 Amp, S2009X	10
	C109-410 .11.843.021.410	Nozzle, 1.0 mm, 80/90 Amp, S2010X	10
	C109-411 .11.843.021.411	Nozzle, 1.1 mm, 90/100 Amp, S2011X	10
	C109-412 .11.843.021.412	Nozzle, 1.2 mm, 100/130 Amp, S2012X	10
	C109-112 .11.843.121.412	Nozzle, 1.2 mm, 100 Amp, S2112X	10
	C109-414 .11.843.021.414	Nozzle, 1.4 mm, 130/160 Amp, S2014X	10
	C109-114 .11.843.121.414	Nozzle, 1.4 mm, 130 Amp, S2114X	10
	C109-416 .11.843.021.416	Nozzle, 1.6 mm, 160 Amp, S2016X	10
	C109-116 .11.843.121.416	Nozzle, 1.6 mm, 160 Amp, S2116X	10
5	C106-153 .11.835.221.153	Gas Guide Cap, 0.4 mm, O ₂ , Z101	1
	C109-154 .11.835.221.154	Gas Guide Cap, 0.4 mm, Z102	1
6	K106-253 .11.834.321.153	Gas Guide Cap, O ₂ , Z111	1
7	C106-303 .11.835.421.303	Spacer, Z111A	1
8	C109-1010* .11.843.021.310	SilverLine Electrode, O ₂ XL, S002X	1
9	C109-1030* .11.843.121.310	SilverLine Electrode, O ₂ XL, S012X	1
	K109-152 .11.842.401.152	Cooling Tube	1

* Centricut part features a unique Hypertherm design that differs from the OEM design.

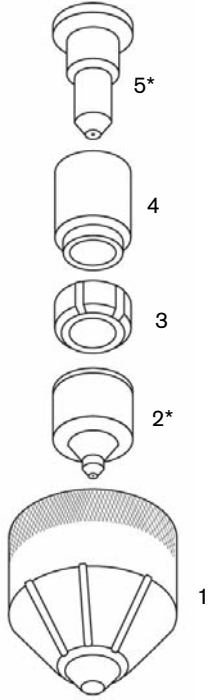


Consumables

	Centricut part number	Reference number	Description	Pkg qty
1	C117-155	11.833.101.155	Swirl Gas Cap, 3.5mm, V4335	1
	C117-157	11.833.101.157	Swirl Gas Cap, 4.5mm, V4345	1
2	C53-261	11.833.101.261	Protective Cap, V501	1
3	C117-271	11.836.901.271	Swirl Gas Nozzle, T521	1
4	C117-164	11.836.901.164	Nozzle Cap, T3045	1
5	C117-420*	11.836.921.420	CoolFlow Nozzle, 2.0mm, O ₂ , 200A, T2120	1
	C117-425	11.836.921.425	CoolFlow Nozzle, 2.5mm, O ₂ , 250A, T2125	1
	C117-427	11.836.921.427	CoolFlow Nozzle, 2.7mm O ₂ , 300A, T2127	1
6	C117-153	11.836.921.153	Gas Guide, T101	1
7	C117-1300*	11.836.921.300	SilverLine Electrode, O ₂ /Air, T012	1



OEM Komatsu® System Razor 40 Amp



Consumables

Centricut part number	Reference number	Description	Pkg qty
1 C33-008T	N/A	Cap #1 with Tab	1
2 C33-008	65-0432-001	Cap #1	1
C33-140	65-0432-003	Nozzle, O ₂ , 0.4 mm	5
C33-130	65-0432-002	Nozzle, O ₂ , 0.6 mm	5
C33-160	65-0432-013	Nozzle, O ₂ , 0.7 mm	5
C33-961*	N/A	Nozzle, O ₂ , 0.8 mm	5
3 C33-006	65-0432-006	Swirler, Std, CCW	1
C33-066	65-0432-066	Swirler, Rev, CW	1
4 C33-021	65-0432-021	Ceramic Guide	1
5 C33-330*	65-0432-005	Electrode w/ O-Ring, Std	5
C33-930	65-0432-005	Electrode with O-Ring	5

Maintenance items

Centricut part number	Reference number	Description	Pkg qty
C33-007	65-0432-007	O-Ring kit	3
K33-420	65-0432-020	Razor 40 Torch Body with 1.8 mm Leads	1
027055	N/A	Lubricant .25 oz. (7ml) Tube	1

* Centricut part features a unique Hypertherm design that differs from the OEM design.

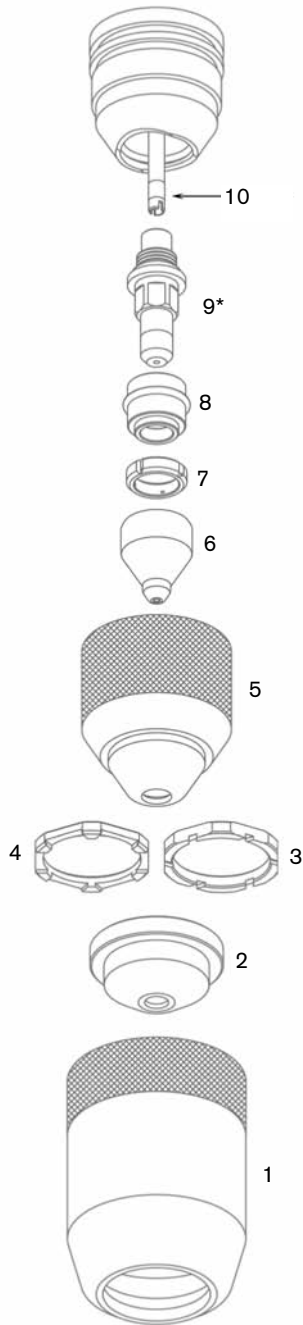
OEM Komatsu®

System Rasor 90/120 Amp

Consumables

Centricut part number	Reference number	Description	Pkg qty
2 C35-019	65-0434-019	Shield Cap, 90 Amp	1
C35-905	65-0442-005	Shield Cap, 120 Amp	1
C35-004	65-0438-004	Shield Cap, Quick Silver	1
3 C35-250	65-0442-004	Spacer Ring, 120 Amp	1
4 C35-540	65-0434-022	Spacer Ring, 90 Amp	1
5 C35-015	65-0434-015	Cap #1	1
1 C35-016	65-0434-016	Cap #2	1
C35-020	65-0438-005	Cap #2, Quick Silver	1
6 C35-160	65-0434-017	Nozzle, O ₂ , 0.8 mm	5
C35-180	65-0434-007	Nozzle, O ₂ , 1.1 mm	5
C35-002	65-0442-002	Nozzle, O ₂ , 1.3 mm	5
C35-8002	65-0438-002	Nozzle, "S", 0.8 mm, Quick Silver	1
C35-8003	65-0438-003	Nozzle, "S", 1.1 mm, Quick Silver	1
7 C35-018	65-0434-018	Swirler, 90 Amp, CCW	1
C35-003	65-0442-003	Swirler, 120 Amp, CW	1
8 C35-350	65-0434-020	Ceramic Guide w/ O-Ring	1
9 C35-1020*	65-0442-001	SilverLine Electrode, 90-120 Amp	1
10 C35-110	65-0442-009	Cooling Tube, 90/120 Amp	1
K35-021	65-0434-021	O-Ring Kit	1
K35-006	65-0442-006	Rasor 90/120 Torch Body w/out O-Rings	1

* Centricut part features a unique Hypertherm design that differs from the OEM design.



Rasor® 300 Amp

OEM Komatsu®

System Rasor 300 Amp

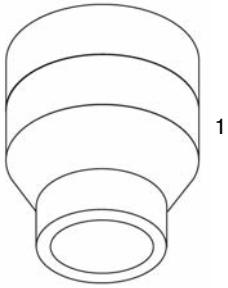
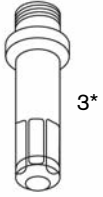
Consumables

Centricut part number	Reference number	Description	Pkg qty
C78-130	969-95-30130	Shield Cap	1
C78-190	969-95-30190	Shield Ring	1
C78-120	969-95-30210	Inner Cap	1
C78-150	969-95-30150	Nozzle, 1.2 mm, 100 Amp	1
C78-220	969-95-30220	Nozzle, 2.2 mm, 200 Amp	1
C78-280	969-95-30140	Nozzle, 2.8 mm, 300 Amp	1
C78-181	969-95-30181	Swirl Ring	1
C78-171	969-95-30171	Guide, 300 Amp	1
C78-1060*	969-95-30160	SilverLine Electrode, 300 Amp	1

* Centricut part features a unique Hypertherm design that differs from the OEM design.

OEM Lincoln®

System PRO-CUT® 40 & 60



Consumables

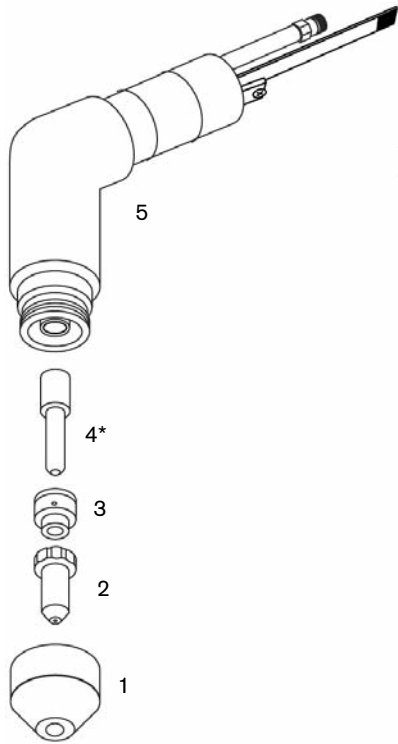
Centricut part number	Reference number	Description	Pkg qty
1	L44-817	S18817 Shield Cup, Copper	1
	L44-425	S19425 Drag Cup, Copper	1
2	C44-971*	S18497-1 Nozzle, Air, .035	5
	C44-972*	S18497-2 Nozzle, Air, .042	5
	C44-973*	S18497-3 Nozzle, Air, .052	5
3	C44-752*	S18752 Electrode, Air	5
	L44-963	S19963 Swirl Ring	1

Maintenance items

Centricut part number	Reference number	Description	Pkg qty
L44-616	M15616	Torch Body	1
027055	N/A	Lubricant .25 oz. (7ml) Tube	1

* Centricut part features a unique Hypertherm design that differs from the OEM design.

OEM Thermal Dynamics[®] System Dynapak 110[®], PAK[®] 2XT[™]



Consumables

Centricut part number	Reference number	Description	Pkg qty
1 C21-214	8-3214	Shield Cup	5
2 C21-218	8-3218	Tip, .031	5
3 C28-233	8-3233	Gas Distributor	1
4 C42-006*	9-6006	Electrode	5
C02-016	8-0531	O-Ring	5

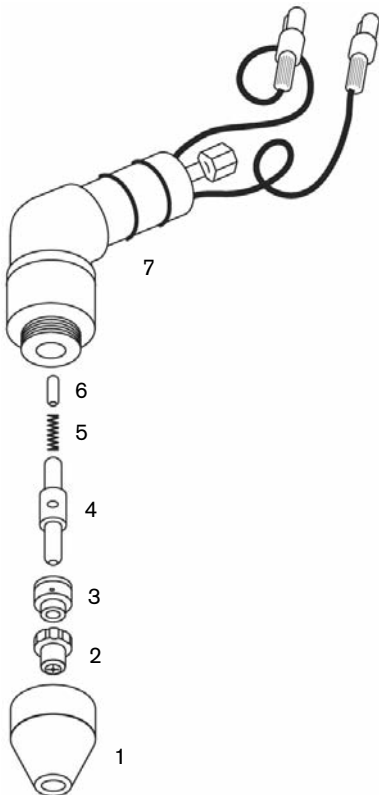
Maintenance items

Centricut part number	Reference number	Description	Pkg qty
5 T21-220	8-3220	PCH-20 Torch Body, 70°	1
027055	N/A	Lubricant .25 oz. (7ml) Tube	1

* Centricut part features a unique Hypertherm design that differs from the OEM design.

PCH/M-30[®]

OEM Thermal Dynamics[®] System PAK3[®]



Consumables

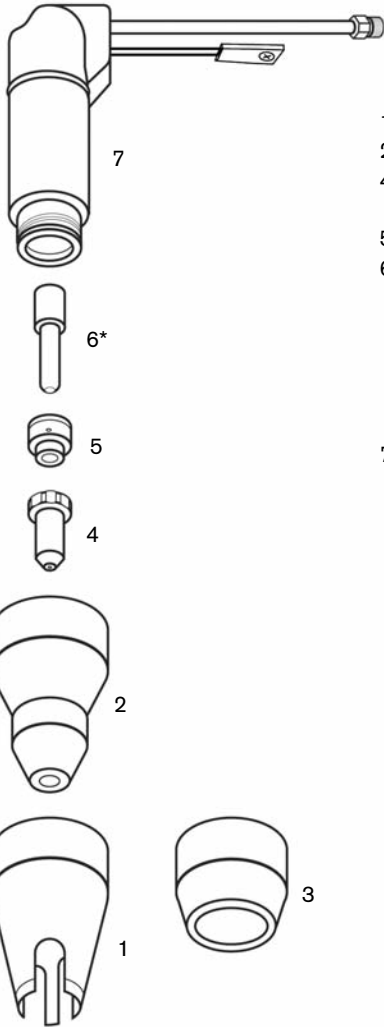
Centricut part number	Reference number	Description	Pkg qty
1 T28-500	9-5500	Shield Cup	10
2 C28-501	9-5501	Tip, .040	10
3 C28-233	8-3233	Gas Distributor	1
4 C28-503	9-5503	Electrode	10
5 T28-505	9-5505	Spring	5
6 T28-504	9-5504	Continuity Pin	5

Maintenance items

Centricut part number	Reference number	Description	Pkg qty
T28-509	9-5509	PCM-30 Torch Body, 180°	1
7 T28-512	9-5512	PCH-30 Torch Body, 70°	1
027055	N/A	Lubricant .25 oz. (7ml) Tube	1

Centricut is a registered trademark of Hypertherm, Inc. and may be registered in the United States and/or other countries. All other trademarks are the properties of their respective owners. Centricut is in no way affiliated with Thermal Dynamics.

OEM Thermal Dynamics® System PAK Master® 25, Econo PAK® 25, Drag Gun



Consumables

Centricut part number	Reference number	Description	Pkg qty
1 C42-004	9-6004	Crown Cup, Copper	1
2 C42-003	9-6003	Shield Cup	1
4 C42-476	9-4476	Tip, Drag Cut, .026, 20 Amp	5
T42-099	9-6099	Tip, Drag Cut, .026, 12 Amp	10
5 C42-007	9-6007	Gas Distributor	1
6 C42-006*	9-6006	Electrode	5

Maintenance items

Centricut part number	Reference number	Description	Pkg qty
7 T42-807	9-5807	PCH-25/35 Torch Body, 70°	1
T42-808	9-5808	PCH-25/35 Torch Body, 90°	1
T42-016	9-0016	PCH-10 Torch Body, 70°	1
027055	N/A	Lubricant .25 oz. (7ml) Tube	1

* Centricut part features a unique Hypertherm design that differs from the OEM design.

PCH/M-26/28/35/38®

OEM Thermal Dynamics® System STAK PAK® 35, PAK MASTER® 50, 38XL, ECONO PAK® 50

Consumables

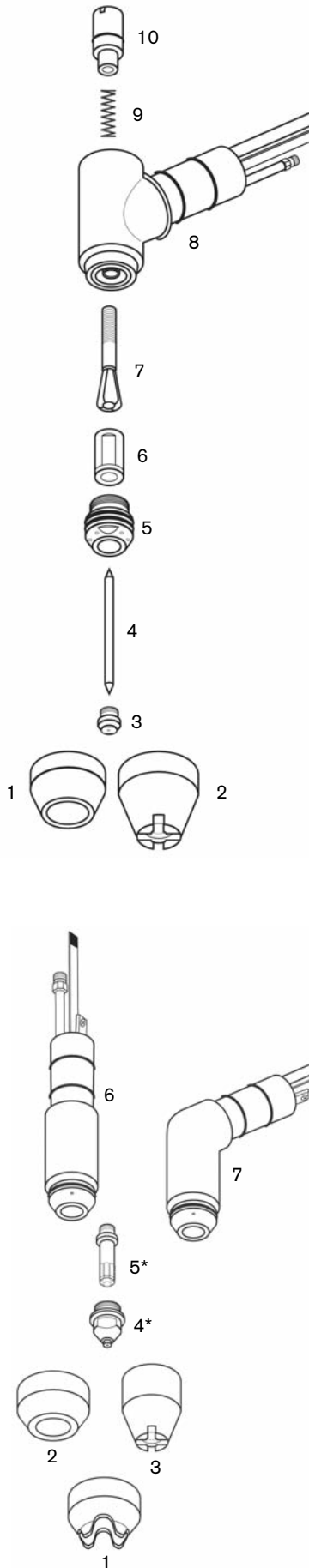
Centricut part number	Reference number	Description	Pkg qty
1 C42-004	9-6004	Crown Cup, Copper, use w/ C42-003	1
2 C42-003	9-6003	Shield Cup	1
3 T42-503	9-6503	Shield Cup, Extended life, use w/ C42-003	1
4 C42-001	9-6001	Tip, Drag Cut, .031, 35 Amp	5
C42-501	9-6501	Tip, Drag Cut, Extended life, .031, 35 Amp	5
C42-476	9-4476	Tip, Drag Cut, .026, 20 Amp	5
C42-000	9-6000	Tip, Standoff, .031, 35 Amp	10
C42-500	9-6500	Tip, Standoff, Extended life, .031, 35 Amp	10
5 C42-007	9-6007	Gas Distributor	1
C42-507	9-6507	Gas Distributor, Extended life	1
6 C42-006*	9-6006	Electrode	5
C42-506*	9-6506	Electrode, Extended life	5

Maintenance items

Centricut part number	Reference number	Description	Pkg qty
7 T42-807	9-5807	PCH-25/35 Torch Body, 70°	1
T42-808	9-5808	PCH-25/35 Torch Body, 90°	1
T42-809	9-5809	PCM-35 Torch Body, 180°	1
027055	N/A	Lubricant .25 oz. (7ml) Tube	1

* Centricut part features a unique Hypertherm design that differs from the OEM design.

OEM Thermal Dynamics[®] System PAK[®] 3XR[™], 5XR[™], 5Xt[™], 6XR[™], 625XR[™], 750XR[™],
Dynapak 4Xi, 6Xi



Consumables

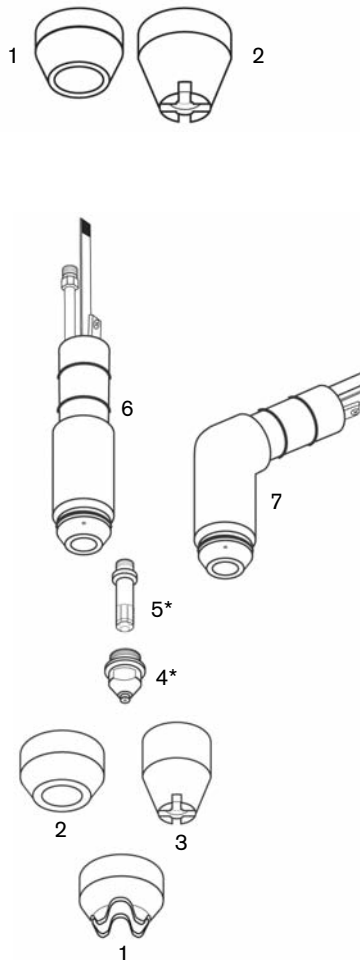
Centricut part number	Reference number	Description	Pkg qty
1 T29-505	8-5505	Shield Cup	5
2 T29-519	8-5519	Crown Cup	5
3 T29-507	8-5507	Tip, .046	10
4 C29-508	8-5508	Electrode	5
5 T29-520	8-5520	Liner	1
6 T29-510	8-5510	Sleeve	1
7 T29-506	8-5506	Collet	5

Maintenance items

Centricut part number	Reference number	Description	Pkg qty
T29-504	8-5504	O-Ring, Torch Body	5
8 T29-501	8-5501	PCH-50 Torch Body	1
9 T29-503	8-5503	Spring	5
10 T29-502	8-5502	Collet Release Button	1
027055	N/A	Lubricant .25 oz. (7ml) Tube	1

PCH/M-51[®]

OEM Thermal Dynamics[®] System PAK[®] 3XR[™], 5XR[™], 5Xt[™], 6XR[™], 625XR[™], 750XR[™],
Dynapak 4Xi, 6Xi



Consumables

Centricut part number	Reference number	Description	Pkg qty
1 T06-779	9-5779	Crown Cup, Copper Long, use w/ C06-781	1
C07-780	9-5780	Crown Cup, Copper Short, use w/ C07-781	1
2 C06-630	9-5630	Shield Cup, Ceramic	5
C06-781	8-2159	Shield Cup, Shatter Proof	5
3 C06-526	8-5526	Crown Cup, Ceramic	5
4 C06-631*	9-5631	Tip, Chrome, .043, 55 Amp	10
C06-031*	N/A	Tip, Copper, .043, 55 Amp	10
C06-718*	9-5718	Tip, Chrome, .038, 35 Amp	5
C06-321	8-3321	Tip, Chrome, .047, 70 Amp	5
C06-724	9-5724	Tip, Chrome, Gouging, .078	5
5 C06-633*	9-5633	Electrode, Chrome	10
C06-033*	N/A	Electrode, Copper	10

Maintenance items

Centricut part number	Reference number	Description	Pkg qty
6 C06-634	9-5634	PCM-51 Torch Body	1
7 C06-635	9-5635	PCH-51 Torch Body, 70°	1
C06-901	N/A	Bottoming Tap, 7/16 in – 28, Tip	1
C06-902	N/A	Bottoming Tap, 1/4 in – 28, Electrode	1
C06-525	8-5525	O-Ring	5
C08-010	N/A	Ball Casters	5
027055	N/A	Lubricant .25 oz. (7ml) Tube	1

* Centricut part features a unique Hypertherm design that differs from the OEM design.

OEM Thermal Dynamics[®] System PAK[®] 5XR[™], 6XR[™], 7XR[™], 8XR[™], 10XR[™], 625XR[™], 750XR[™], 1000XR[™], 1250XR[™]

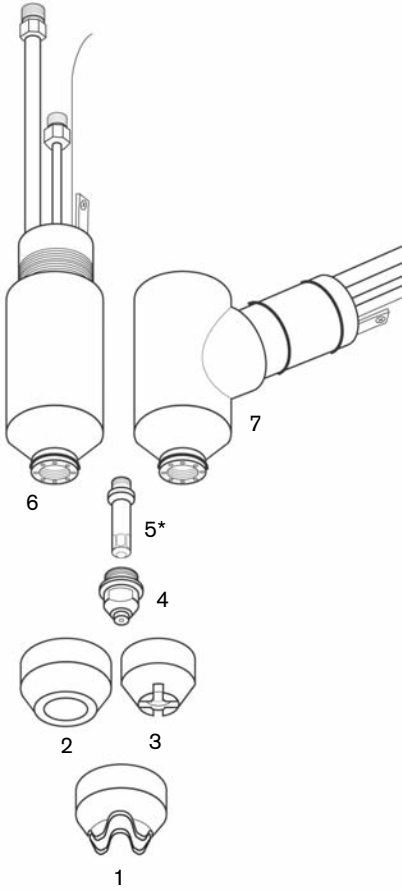
Consumables

Centricut part number	Reference number	Description	Pkg qty
1	T06-779	Crown Cup, Copper Long, use w/ C06-781	1
	C07-780	Crown Cup, Copper Short, use w/ C07-781	1
3	C07-694	Crown Cup, Ceramic	5
2	C07-717	Shield Cup, Short	10
	C07-617	Shield Cup, Long	5
	C07-781	Shield Cup, Shatter Proof	5
4	C07-702	Tip, .035, 35 Amp	10
	C07-618	Tip, .043, 55 Amp	10
	C07-707	Tip, .047, 70 Amp	10
	T07-782	Tip, .052, 80 Amp	5
	C07-708	Tip, .059, 105 Amp	10
	C07-908	Tip, .059, 105 Amp, Chrome	10
	T07-710	Tip, .093	10
5	C07-331*	Electrode, Air, Copper	10
	C07-619	Electrode, Air, Chrome	10
	T07-711	Electrode, N ₂	5
	C07-931	Electrode	10

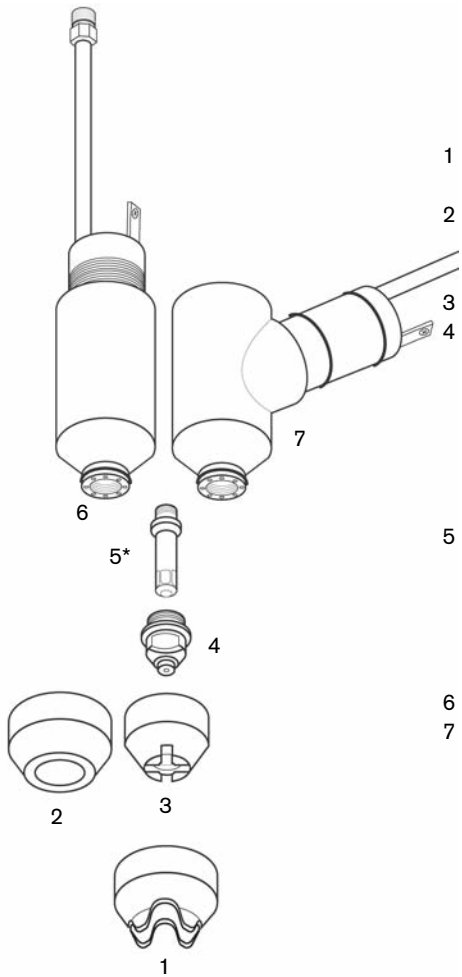
Maintenance items

Centricut part number	Reference number	Description	Pkg qty
6	C07-643	PCM-52 Torch Body	1
7	C07-642	PCH-52 Torch Body, 70°	1
	C06-525	O-Ring	5
	C08-010	Ball Casters	5
	C07-901	Bottoming Tap 1/2 – 20, Tip	1
	C07-902	Bottoming Tap 7mm x 1, Electrode	1
	T07-007	Wrench, Tip	1
	T07-620	Wrench, Electrode	1
	027055	Lubricant .25 oz. (7ml) Tube	1

* Centricut part features a unique Hypertherm design that differs from the OEM design.



OEM Thermal Dynamics[®] System PAK MASTER[®] 100



Consumables

Centricut part number	Reference number	Description	Pkg qty
1 T06-779	9-5779	Crown Cup, Copper Long, use w/ C06-781	1
C07-780	9-5780	Crown Cup, Copper Short, use w/ C07-781	1
2 C07-717	N/A	Shield Cup, Short	10
C07-617	9-5617	Shield Cup, Long	5
C07-781	9-5781	Shield Cup, Shatter Proof	5
3 C07-694	9-5694	Crown Cup, Ceramic	5
4 C07-702	9-5702	Tip, .035, 35 Amp	10
C07-618	9-5618	Tip, .043, 55 Amp	10
C07-707	9-5897	Tip, .047, 70 Amp	10
T07-782	9-5782	Tip, .052, 80 Amp	1
C07-708	9-5708	Tip, .059, 105 Amp	10
C07-908	N/A	Tip, .059, Chrome	10
T07-710	9-5710	Tip, .093	10
5 C07-331*	9-5898	Electrode, Air, Copper	10

Maintenance items

Centricut part number	Reference number	Description	Pkg qty
6 T49-180	9-6180	PCM-53 Torch Body, 180°	1
7 T49-170	9-6170	PCH-53 Torch Body, 70°	1
T49-190	9-6190	PCH-53 Torch Body, 90°	1
C06-525	8-5525	O-Ring	5
C08-010	N/A	Ball Casters	5
C07-901	N/A	Bottoming Tap ½ in. – 20, Tip	1
C07-902	N/A	Bottoming Tap 7mm x 1, Electrode	1
T07-007	8-4007	Wrench, Tip	1
T07-620	9-5620	Wrench, Electrode	1
027055	N/A	Lubricant .25 oz. (7ml) Tube	1

* Centricut part features a unique Hypertherm design that differs from the OEM design.

OEM Thermal Dynamics[®] System STAK PAK[®]

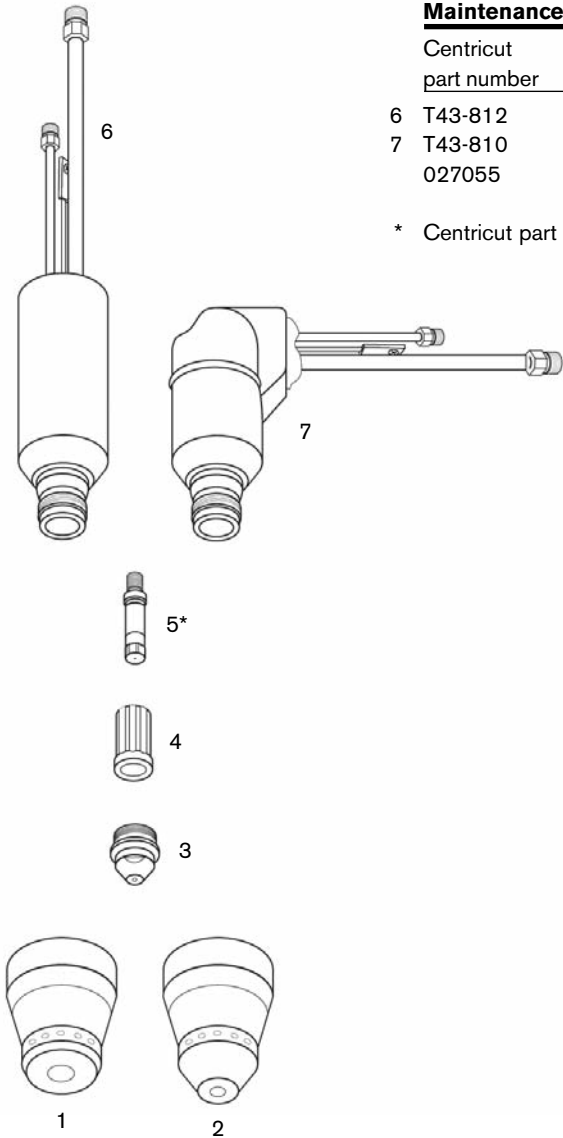
Consumables

Centricut part number	Reference number	Description	Pkg qty
1 T43-016	9-6016	Shield Cup	1
2 T43-024	9-6024	Shield Cup, Long	1
C43-017	9-6017	Crown Cup	1
3 C43-009	9-6009	Tip, Air, 70 Amp	5
4 C43-022	9-6022	Gas Distributor	1
5 C43-019*	9-6019	Electrode, Air	1

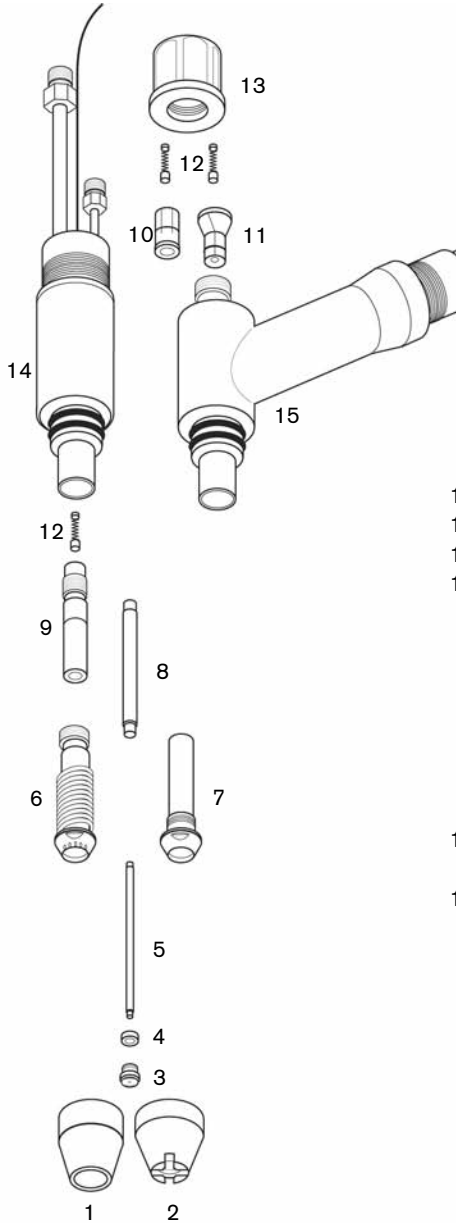
Maintenables items

Centricut part number	Reference number	Description	Pkg qty
6 T43-812	9-5812	PCM-70 Torch Body, 180°	1
7 T43-810	9-5810	PCH-70 Torch Body, 70°	1
027055	N/A	Lubricant .25 oz. (7ml) Tube	1

* Centricut part features a unique Hypertherm design that differs from the OEM design.



OEM Thermal Dynamics® System PAK® 22, 10, 5



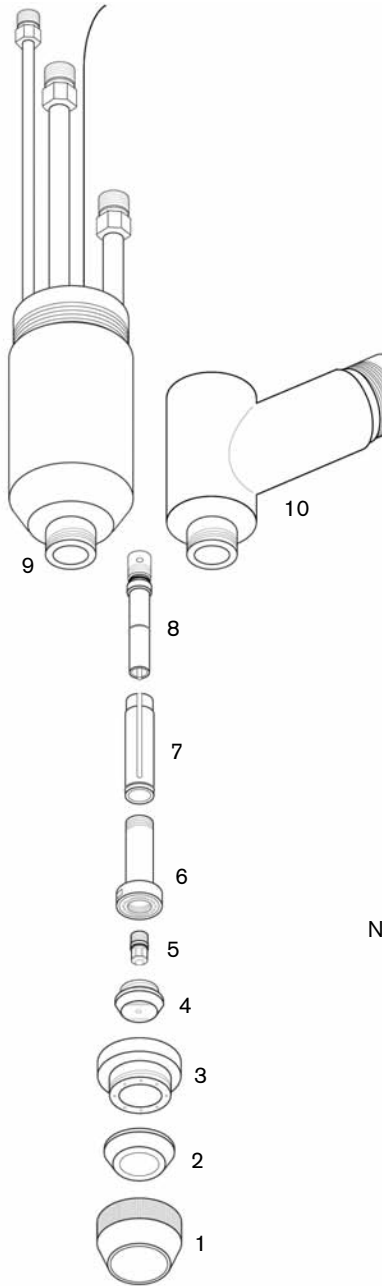
Consumables

Centricut part number	Reference number	Description	Pkg qty
1 C08-088	8-4088	Shield Cup	5
2 T08-213	8-4213	Shield Cup, Crown	5
	T08-045	Shield Cup, Threaded 4A	1
3 C08-189	8-4189	Tip, .030	10
	C08-211	Tip, .046	10
	C08-153	Tip, .059, 100 Amp	10
	C08-170	Tip, .070, ArH ₂ , 100 Amp	10
4 C08-421	9-2421	Gas Distributor	10
5 C08-073	8-4073	Electrode	5
6 C08-154	8-4154	Liner, 4B	1
7 T08-011	8-4011	Liner, 4A	1
8 C08-182	8-4182	Sleeve	1
9 T08-197	8-4197	Collet, 4BT	5
10 T08-156	8-4156	Collet, 4B	1
11 T08-049	8-4049	Collet, 4A	1
12 C08-050	8-4050	Spring Ass'y	5
13 T08-158	8-4158	Back Cap	1
	C08-069	Gasket	5

Maintenance items

Centricut part number	Reference number	Description	Pkg qty	
	C08-010	N/A	Ball Casters	5
14 T08-196	8-4196	PCM-4BT Torch Body	1	
	T08-161	8-4061	PCH-4B Torch Body, 90°	1
15 T08-160	8-4160	PCH-4B Torch Body, 70°	1	
	T08-901	9-1901	Insulating Sleeve	1
	027055	N/A	Lubricant .25 oz. (7ml) Tube	1

OEM Thermal Dynamics® System PAK® 44, 45



Consumables

Centricut part number	Reference number	Description	Pkg qty
1 C09-515	8-6515	End Cap	1
2 C09-514	8-6514	End Piece	5
3 C09-581	8-6581	Outer Insulator	1
	C09-512	Gasket	5
4 C09-580	8-6580	Tip, .067, 100 Amp	10
	C09-648	Tip, .076, 150 Amp	10
	C09-575	Tip, .093, 200 Amp	10
	C09-582	Tip, .113, 300 Amp	10
	C09-572	Tip, .125, 400 Amp	10
5 C09-578	8-6578	Electrode, General Purpose	10
	C09-586	Electrode, Low Amp	10
6 C09-571	8-6571	Liner, Includes O-Rings C09-531 and C09-956	1
7 C09-569	8-6569	Gas Distributor	1
	T09-587	Gas Distributor, Rev Swirl	1
	T09-547	Gas Distributor	1
8 C09-615	8-6615	Electrode Holder	1

Maintenance items

Centricut part number	Reference number	Description	Pkg qty
9 C09-577	8-6577	PCM-6B Torch Body, 180°	1
	C09-584	PCH-6B Torch Body, 90°	1
10 T09-583	8-6583	PCH-6B Torch Body, 70°	1
	T09-614	Heat Shield, PCM-6B	1
	027055	Lubricant .25 oz. (7ml) Tube	1

Note: Tips include O-Rings C09-683 & C09-956

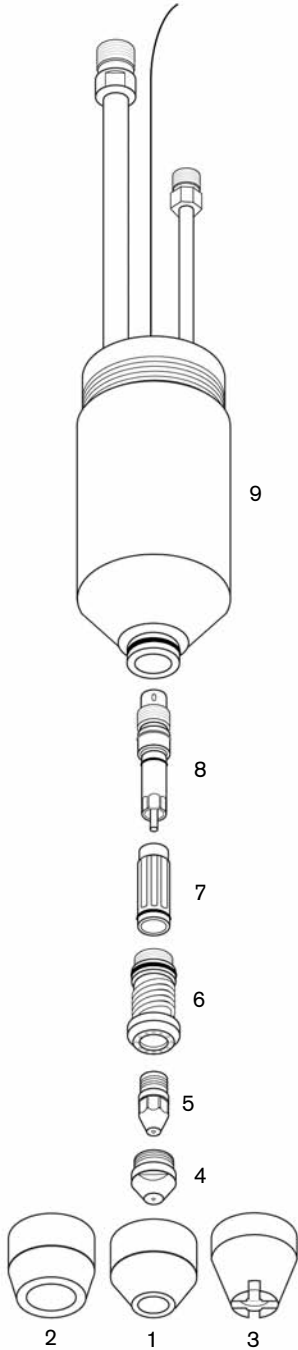
OEM Thermal Dynamics® System PAK® 10XR™

Consumables

Centricut part number	Reference number	Description	Pkg qty
1 C27-100	8-1100	Shield Cup, Hand	5
2 C27-345	9-4345	Shield Cup, Machine	5
3 C27-101	8-1101	Crown Cup	5
4 C27-343	9-4343	Tip, .039, 35 Amp	10
	C27-342	Tip, .047, 70 Amp	10
	C27-341	Tip, .059, 105 Amp	10
5 C27-340	9-4340	Electrode	10
6 C27-106	8-1106	Liner	1
7 C27-339	9-4339	Gas Distributor	1
8 C27-108	8-1108	Electrode Holder	1

Maintenance items

Centricut part number	Reference number	Description	Pkg qty
C27-111	N/A	Electrode Wrench	
9 C27-112	8-1112	PCM-100 Torch Body	1
C27-113	8-1113	PCH-100 Torch Body, 70°	1
C27-556	8-0556	O-Ring	5
C27-134	8-1134	O-Ring, Gas Distributor	5
C27-152	8-1152	O-Ring, Electrode Holder, Large	5
C27-133	8-1133	O-Ring, Electrode Holder, Small	5
027055	N/A	Lubricant .25 oz. (7ml) Tube	1



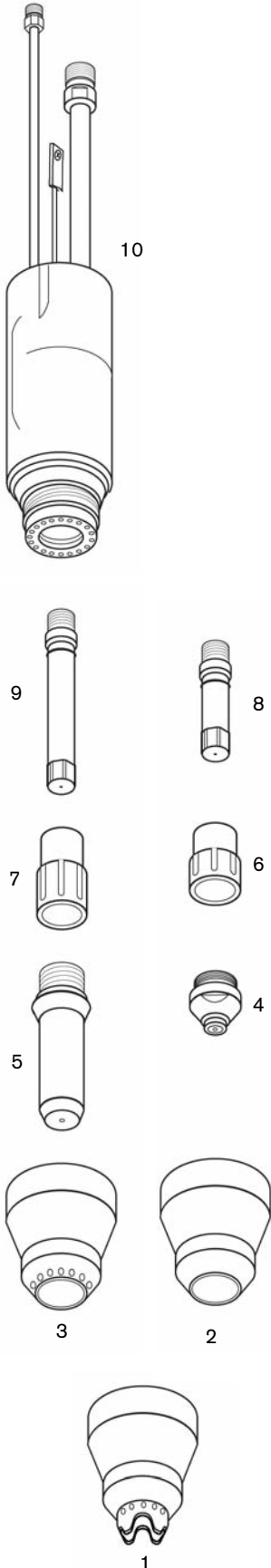
OEM Thermal Dynamics[®] System STAK PAK[®]

Consumables

Centricut part number	Reference number	Description	Pkg qty
1 T48-046	9-6046	Shield Cup, Crown	1
2 T48-047	9-6047	Shield Cup, Gouging	1
3 T48-045	9-6045	Shield Cup	1
T48-054	9-6054	Shield Cup, Long	1
4 C48-025	9-6025	Tip, Air, 35 Amp	5
C48-026	9-6026	Tip, Air, 70 Amp	5
C48-027	9-6027	Tip, Air, 105 Amp	5
C48-028	9-6028	Tip, Air, 140 Amp	5
T48-034	9-6034	Tip, ArH ₂ , 70 Amp	5
T48-035	9-6035	Tip, ArH ₂ , 105 Amp	5
T48-036	9-6036	Tip, ArH ₂ , 140 Amp	5
5 T48-037	9-6037	Tip, .110, Gouging	1
T48-038	9-6038	Tip, .125, Gouging	1
T48-039	9-6039	Tip, .156, Gouging	1
T48-040	9-6040	Tip, .171, Gouging	1
6 T48-051	9-6051	Gas Distributor	1
7 T48-112	9-6112	Gas Distributor, Gouging	1
8 C48-048	9-6048	Electrode, Air	1
T48-050	9-6050	Electrode, ArH ₂	5
9 T48-110	9-6110	Electrode, Air, Gouging	1

Maintenance items

Centricut part number	Reference number	Description	Pkg qty
T48-052	9-6052	Cooling Tube	1
10 T48-815	9-5815	PCM-140 Torch Body, 180°	1
027055	N/A	Lubricant .25 oz. (7ml) Tube	1



OEM Thermal Dynamics® System PAK® 15XC, MERLIN®

Consumables

Centricut part number	Reference number	Description	Pkg qty	
1	C30-790	Shield Cup, Copper	1	
	C30-750	Shield Cup	1	
2	C30-758	Shield Cup, Tip Exposed	1	
	C30-801	Shield Cup, Copper, Tip Exposed	1	
3	C30-748	Tip, Air, .043, 50 Amp	5	
	C30-747	Tip, Air, .055, 100 Amp	5	
	C30-746	Tip, Air, .070, 150 Amp	5	
	C30-765	Tip, N ₂ , .043, 50 Amp	5	
	C30-766	Tip, N ₂ , .052, 100 Amp	5	
	C30-767	Tip, N ₂ , .067, 150 Amp	5	
	T30-753	Tip, O ₂ , .043, 50 Amp	5	
	T30-752	Tip, O ₂ , .052, 100 Amp	5	
	C30-751	Tip, O ₂ , .070, 150 Amp	5	
	4	C30-749	Electrode, Air	5
		C30-754	Electrode, N ₂	5
C30-760		Electrode, O ₂	5	

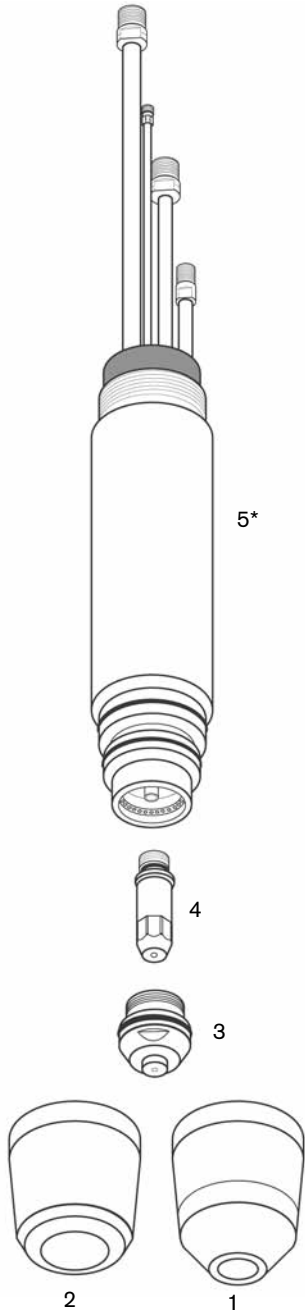
Maintenance items

Centricut part number	Reference number	Description	Pkg qty
C30-M33	N/A	Liner, Replacement	1
C30-M34	N/A	Gas Distributor, Replacement	1
C30-WRCH	N/A	Liner Wrench	1
5	C30-945*	PCM-150 Modular Torch Body, 180°	1
	C30-057	O-Ring Torch Kit – See below	1
	027055	Lubricant .25 oz. (7ml) Tube	1

C30-057 O-ring torch kit includes

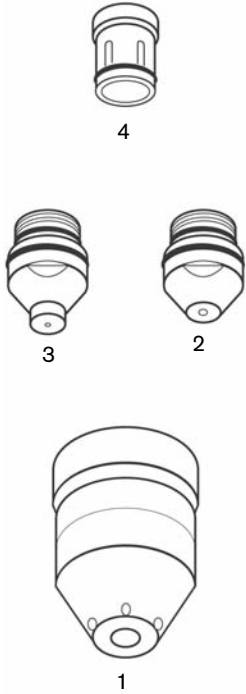
Description	Pkg qty	
C30-035	O-Ring (for gas distributor)	1
C30-037	O-Ring (for liner)	1
C30-040	O-Ring (Shield Cup, Large)	1
C30-557	O-Ring (Shield Cup, Small)	5
C30-041	O-Ring (for liner)	1

* Centricut part features a unique Hypertherm design that differs from the OEM design.



OEM Thermal Dynamics® System MERLIN® 3000

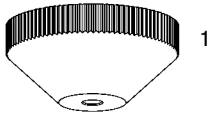
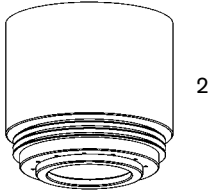
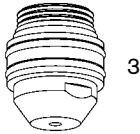
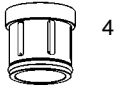
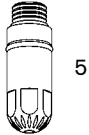
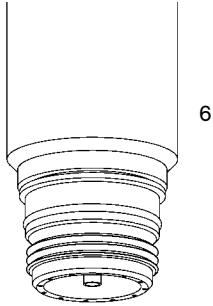
Consumables



Centricut part number	Reference number	Description	Pkg qty
1 T55-412	9-6412	Shield Cup, Air, Long	1
T55-411	9-6411	Shield Cup, O ₂ , Long	1
T55-029	20-1029	Shield Cup Body, Underwater	1
C55-002	20-1002	Shield Cup Body	1
2 C55-424	9-6424	Tip, Air, .052, 70 Amp	5
C55-425	9-6425	Tip, Air, .059, 105 Amp	5
C55-432	9-6432	Tip, Air, .070, 150 Amp	5
3 T55-419	9-6419	Tip, O ₂ , .052, 70 Amp	5
T55-420	9-6420	Tip, O ₂ , .059, 105 Amp	5
T55-433	9-6433	Tip, O ₂ , .070, 150 Amp	5
T55-428	9-6428	Tip, ArH ₂ , .052, 70 Amp	5
T55-429	9-6429	Tip, ArH ₂ , .059, 105 Amp	5
T55-434	9-6434	Tip, ArH ₂ , .073, 150 Amp	5
4 T55-416	9-6416	Gas Distributor	1
C55-008	20-0008	Gas Distributor, 50-225 Amp	1
T55-1211	20-1211	Electrode, N ₂ , ArH ₂	5

Maintenance items

Centricut part number	Reference number	Description	Pkg qty
T55-410	9-6410	Maximizer 300 Torch Body	1
027055	N/A	Lubricant .25 oz. (7ml) Tube	1



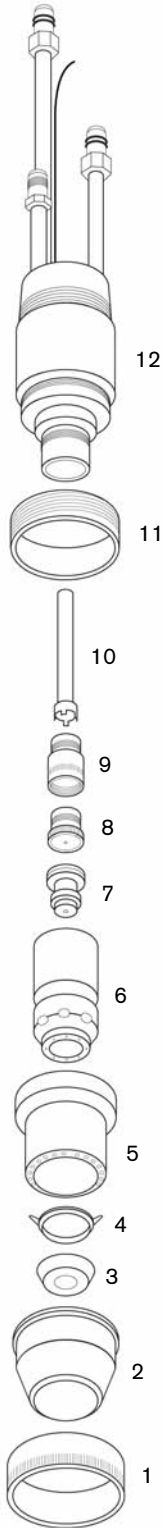
Consumables

Centricut part number	Reference number	Description	Pkg qty
1 C55-803	20-1003	Shield, 50 Amp	1
C55-804	20-1004	Shield, 100 – 225 Amp	1
C55-805	20-1005	Shield, 300 Amp	1
T55-028	20-1028	Shield, Underwater, 100 – 300 Amp	1
2 C55-002	20-1002	Shield Cup Body	1
T55-029	20-1029	Shield Cup Body, Underwater	1
3 C55-030	20-1030	Tip, 50 Amp	1
C55-031	20-1031	Tip, 100 Amp	1
C55-032	20-1032	Tip, 150 Amp	1
C55-033	20-1033	Tip, 225 Amp	1
C55-034	20-1034	Tip, 300 Amp	1
4 C55-008	20-0008	Gas Distributor, 50 – 225 Amp	1
T55-009	20-1009	Gas Distributor, 300 Amp	1
5 C55-710	20-1016, 20-1010, 20-1021	CopperLine Electrode, Air/O ₂ , 50 – 300 Amp	1
C55-718	20-1015, 20-1018	CopperLine Electrode, Air/O ₂ , 50 – 300 Amp	1
T55-017	20-1017	Electrode, O ₂ , 225 Amp	5
T55-023	20-1023	Electrode, N ₂ , 50 – 300 Amp	5
T55-025	20-1025	Electrode, ArH ₂ , 100 – 300 Amp	5
T55-1211	20-1211	Electrode, N ₂ , ArH ₂	5

Maintenance items

Centricut part number	Reference number	Description	Pkg qty
6 T55-410	9-6410	Maximizer 300 Torch Body	1
027055	N/A	Lubricant .25 oz. (7ml) Tube	1

OEM Thermal Dynamics[®] System TA500, 1000



Consumables

Centricut part number	Reference number	Description	Pkg qty
1 T19-059	8-6059	Collar	1
T19-078	8-6078	Collar, Underwater Cutting	1
2 T19-056	8-6056	End Cap	1
T19-077	8-6077	End Cap, Underwater Cutting	1
3 C19-006	8-6006	End Piece, Water Shield	10
C19-610	8-0610	End Piece, Piercing	5
T19-607	8-0607	End Piece, Gas Shield	1
T19-029	8-6029	End Piece, ArH ₂	1
T19-609	8-0609	End Piece	1
6 T19-210	9-2210	Inner Tip Retainer	1
7 T19-041	8-6041	Tip, .081, 150 Amp	1
C19-042	8-6042	Tip, .109, 250 Amp	1
C19-043	8-6043	Tip, .125, 350 Amp	1
C19-044	8-6044	Tip, .140, 500 Amp	1
C19-045	8-6045	Tip, .172, 750 Amp	1
C19-046	8-6046	Tip, .201, 1000 Amp	1
T19-047	8-6047	Tip, .250, 500 Amp	1
8 C19-662	9-1662	Electrode	5
T19-641	9-1641	Electrode, Low Amp	1
9 T19-642	9-1642	Electrode Seat	1

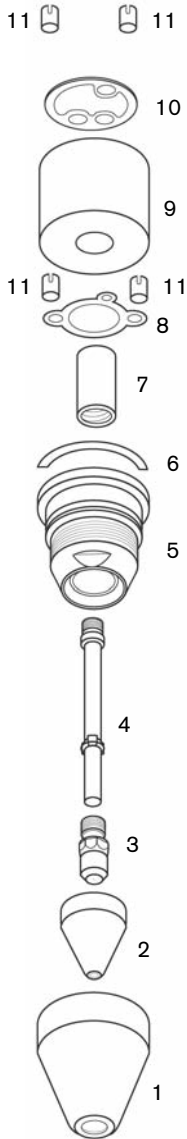
Maintenance items

Centricut part number	Reference number	Description	Pkg qty
10 T19-640	9-1640	Coolant Tube	1
11 T19-058	8-6058	Adaptor	1
12 T19-054	8-6054	M200 [®] Torch Body	1
C19-563	8-0563	O-Ring, End Piece – End Cap	5
4 T19-451	9-2451	Coolant Baffle	1
5 T19-060	8-6060	Outer Insulator	1
T19-720	9-3720	O-Ring, End Cap – Outer Insulator	5
T19-547	8-0547	O-Ring, Outer Insulator – Torch Body	5
027055	N/A	Lubricant .25 oz. (7ml) Tube	1

Centricut is a registered trademark of Hypertherm, Inc. and may be registered in the United States and/or other countries. All other trademarks are the properties of their respective owners. Centricut is in no way affiliated with Thermal Dynamics.

OEM Whitney[®]

System OW250[®]



Consumables

Centricut part number	Reference number	Description	Pkg qty
1 C14-332	648-332	Nose Piece	1
2 C14-331-S	648-331	Nozzle, Air, .098	5
	C14-330	Nozzle, Air, .063, 150 Amp	5
3 C14-327	648-327	Electrode, Air, w/ O-Ring C14-010, 250 Amp	5
	C14-927	Electrode, Air, no O-Ring, 250 Amp	5
	C14-328	Electrode, Low Amp, Air, 150 Amp	5

Maintenance items

Centricut part number	Reference number	Description	Pkg qty
4 C14-326	648-326	Cooling Tube	1
5 C14-280	648-280	Nozzle Holder	1
6 C14-282	648-282	Gasket Spacers	2
7 C14-281	648-281	Gas Guide Ring	1
8 C14-286	648-286	Lower Gasket	5
9 C14-287	648-287	Insulating Spacer	1
10 C14-288	648-288	Middle Gasket	5
11 C14-285	648-285	Hole guides	5
	C14-283	O-Ring	5
	C14-284	O-Ring	5
	C14-793	O-Ring Seal	4
027055	N/A	Lubricant .25 oz. (7ml) Tube	1

OEM Whitney®

System IC300®

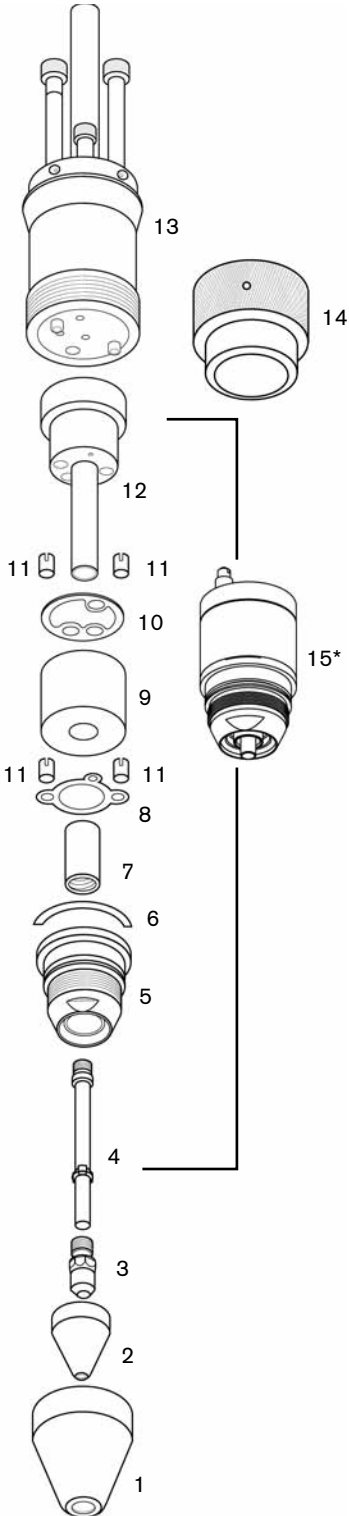
Consumables

Centricut part number	Reference number	Description	Pkg qty
1 C14-332	648-332	Nose Piece	1
2 C14-331-S	648-331	Nozzle, Air, .098	5
	C14-330	Nozzle, Air, .063, 150 Amp	5
3 C14-327	648-327	Electrode, Air, w/ O-Ring C14-010	5
	C14-927	Electrode, Air, no O-Ring	5
	C14-328	Electrode, Low Amp, Air, 150 Amp	5

Maintenance items

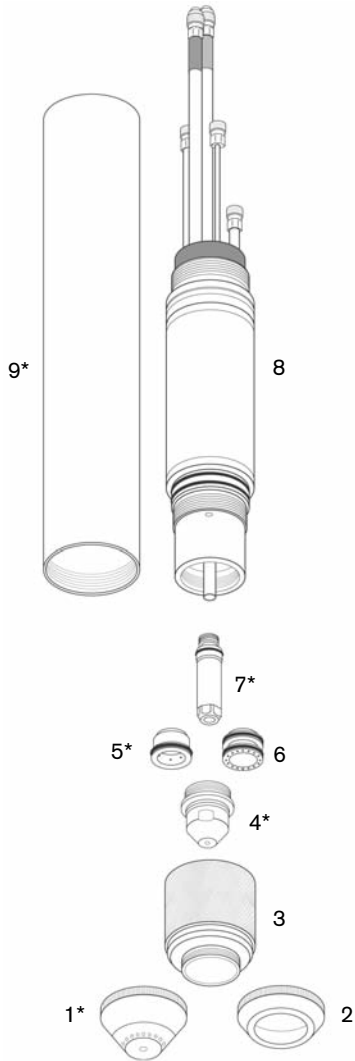
Centricut part number	Reference number	Description	Pkg qty
4 C14-794	649-794	Cooling Tube	1
5 C14-280	648-280	Nozzle Holder	1
6 C14-282	648-282	Gasket Spacers	2
7 C14-281	648-281	Gas Guide Ring	1
8 C14-286	648-286	Lower Gasket	5
9 C14-959	649-959	Insulating Spacer	1
10 C14-288	648-288	Middle Gasket	5
11 C14-285	648-285	Hole guides	5
12 C14-960	649-960	Manifold	1
	C14-793	O-Ring Seal	4
13 C14-964	649-964	Upper Body	1
	C14-962	Hi Frequency Socket	1
	C14-963	Hi Frequency Pin	1
14 C14-961	649-961	Head Cover Ass'y	1
	C14-966	Torch Tube Cover (Old Style)	1
	C14-866	Torch Tube Cover (New Style)	1
	C14-765	IC300 One Touch Torch	1
15 C14-118*	N/A	Lower Body Ass'y (Includes Items 4-12)	1
	C14-283	O-Ring	5
	C14-284	O-Ring	5
027055	N/A	Lubricant .25 oz. (7ml) Tube	1

* Centricut part features a unique Hypertherm design that differs from the OEM design.



OEM Whitney[®]

System TRUECUT[®]



Consumables

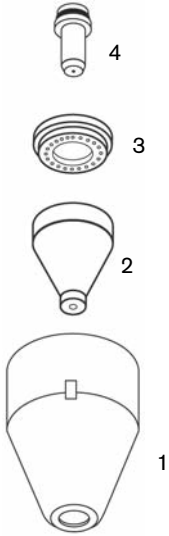
Centricut part number	Reference number	Description	Pkg qty
1 020424	631-452	Shield, Machine, Air, O ₂ , N ₂ , 200 Amp	1
C32-924*	N/A	Shield, Machine, Air, O ₂ , N ₂ , 200 Amp	1
020448	631-453	Shield, Air, N ₂ , ArH ₂ , 100 Amp	1
2 020668	631-454	Shield, Machine, Air, 40 Amp	1
3 020423	631-455	Retaining Cap	1
4 C32-608	631-456	Nozzle, Air, .086, N ₂ , ArH ₂ , 200 Amp	1
C32-611*	631-457	Nozzle, Air, .059, N ₂ , ArH ₂ , 100 Amp	1
C32-689*	631-458	Nozzle, Air, .038, 40 Amp	5
C32-605	631-459	Nozzle, O ₂ , .082, 200 Amp	1
C32-690	632-459	Nozzle, O ₂ , .055, 100 Amp	1
5 C32-907*	N/A	Swirl Ring, Air, N ₂ , ArH ₂ , 100/200 Amp	1
020613	631-462	Swirl Ring, Air, 40 Amp and O ₂ , 100 Amp	1
020679	632-455	Swirl Ring, Air, 200 Amp	1
6 020-678	632-456	Swirl Ring, O ₂ , 200 Amp	1
7 C32-664*	632-457	Electrode, O ₂ , 200 Amp	1
C32-1021*	220021	SilverLine Electrode, O ₂ , 200 Amp	1
C32-415	632-458	Electrode, N ₂ , ArH ₂	5
C32-547	633-706	Electrode, Air, O ₂ , 100 Amp	5

Maintenance items

Centricut part number	Reference number	Description	Pkg qty
8 120584	632-599	Torch Body, 180°	1
C32-027	632-597	O-Ring	5
020963	632-870	Water Tube	1
9 C32-431*	N/A	Double Threaded Mounting Tube	1
027055	N/A	Lubricant .25 oz. (7ml) Tube	1

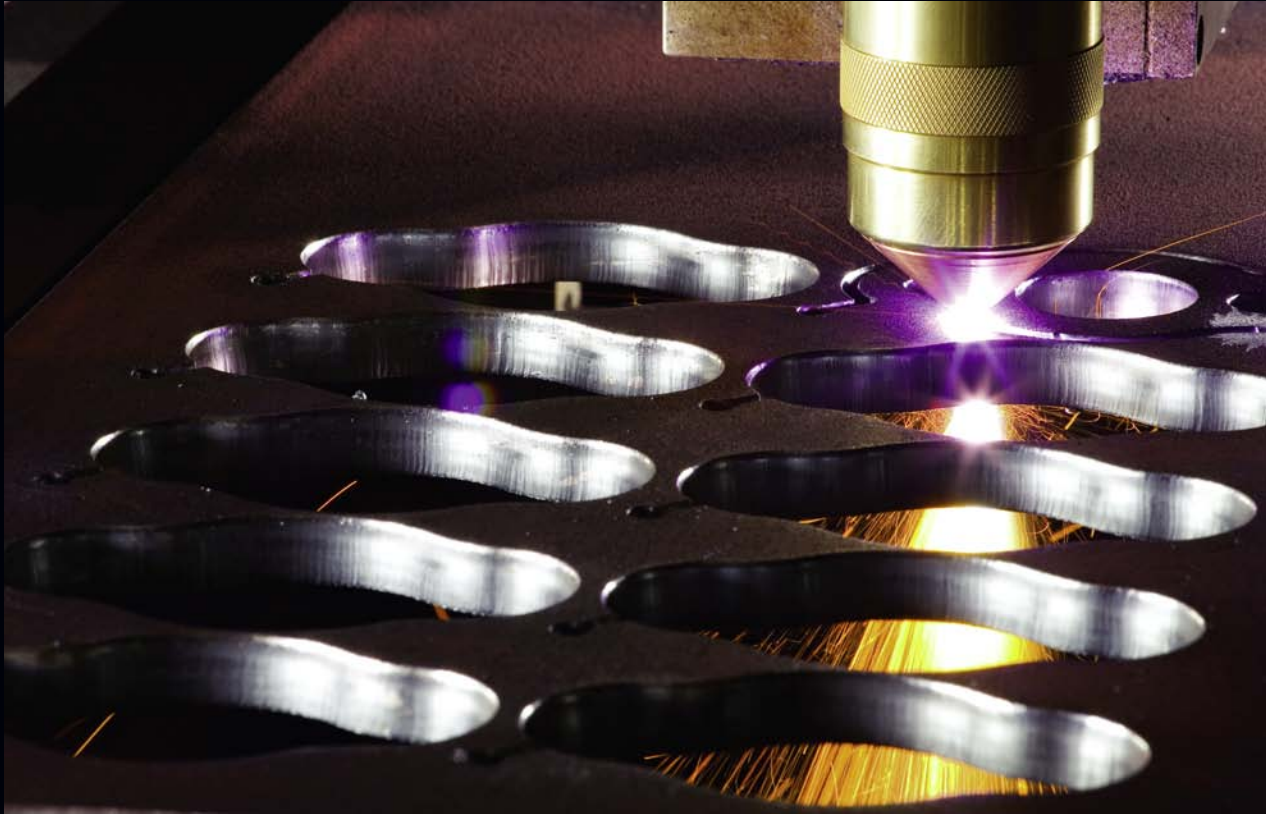
* Centricut part features a unique Hypertherm design that differs from the OEM design.

OEM WIEDEMANN® System WIEDEMANN IC100®



Consumables

Centricut part number	Reference number	Description	Pkg qty
1 C13-458	88959458	Nose Piece	1
2 C13-459	88959459	Nozzle, Air, .051	10
C13-559	N/A	Nozzle, Air, .061	10
3 C13-461	88959461	Swirl Ring	1
4 C13-462	88959462	Electrode, Air, w/ O-Ring C13-463	10
C13-460	88959460	O-Ring	5
C13-463	88959463	O-Ring	5
C13-475	88959475	O-Ring	5



Technology Products for ProLine[®] and FineLine[®]

© Copyright 4/09 Hypertherm, Inc. Rev 1
880470

**Contact your Hypertherm
distributor or call
1-800-752-7623 for the
location nearest to you.**

Hypertherm[®]

Hypertherm, Inc.
Hanover, NH 03755 USA
603-643-3441 Tel

Hypertherm (S) Pte Ltd.
Singapore 349567
65 6841 2489 Tel

**Hypertherm (Shanghai)
Trading Co., Ltd.**
PR China 200052
86-21 5258 3330 /1 Tel

Hypertherm Europe B.V.
4704 SE Roosendaal, Nederland
31 165 596907 Tel

HYPERTHERM BRASIL LTDA.
Guarulhos, SP - Brasil
55 11 2409 2636 Tel

www.hypertherm.com